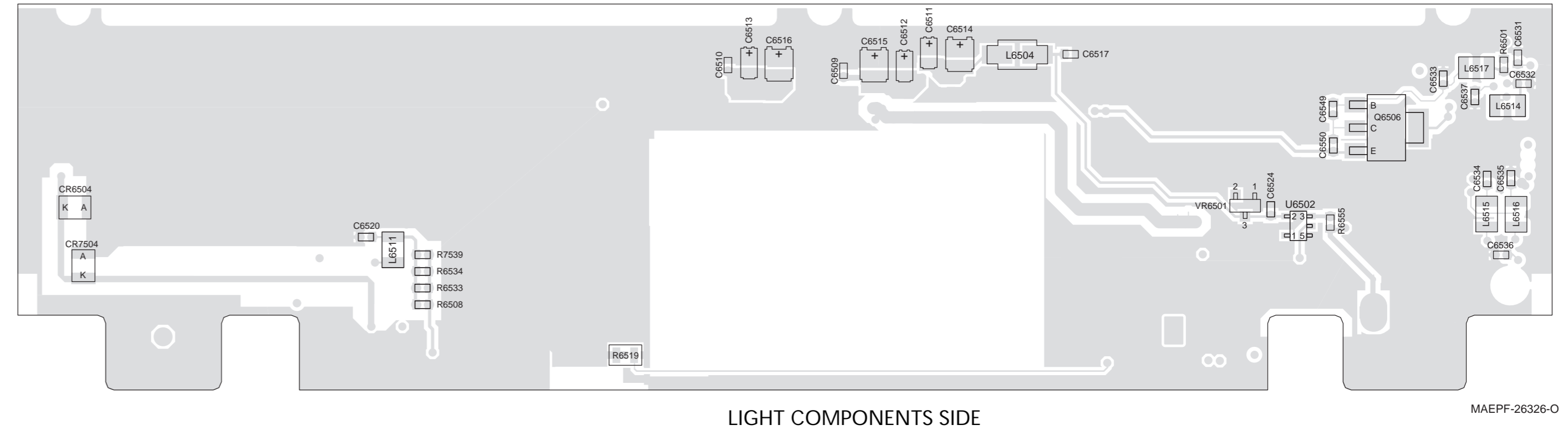
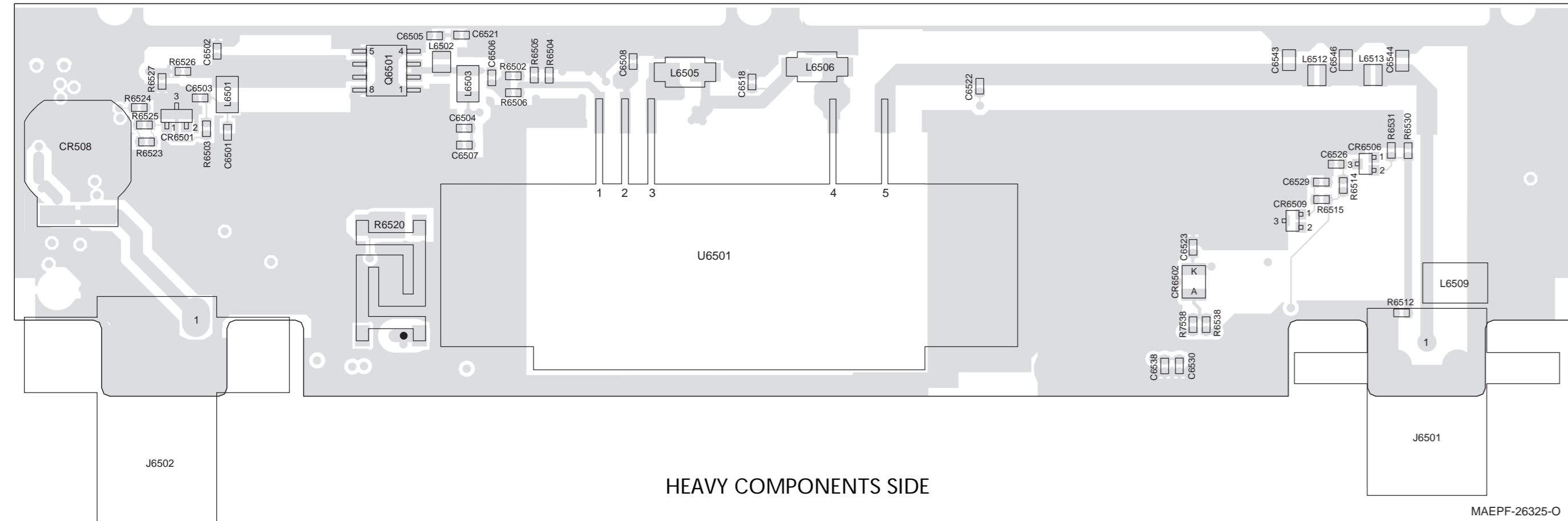


12-WATT POWER AMPLIFIER COMPONENT LOCATIONS



12-WATT POWER AMPLIFIER PARTS LIST

REFERENCE SYMBOL	MOTOROLA PART NUMBER	DESCRIPTION
CAPACITORS:		
C6501	2113741F49	0.01uF
C6502	2113740F15	3.3pF
C6503	2113740F41	39pF
C6504	2113740F41	39pF
C6505	2113740F41	39pF
C6506	2113740F41	39pF
C6507	2113741F49	0.01uF
C6508	2113741F49	0.01uF
C6509	2113741F49	0.01uF
C6510	2113741F49	0.01uF
C6511	2311049A01	0.1uF
C6512	2311049A01	0.1uF
C6513	2311049A01	0.1uF
C6514	2311049A08	1uF
C6515	2311049A08	1uF
C6516	2311049A08	1uF
C6517	2113740F41	39pF
C6518	2113740F41	39pF
C6520	2113740F41	39pF

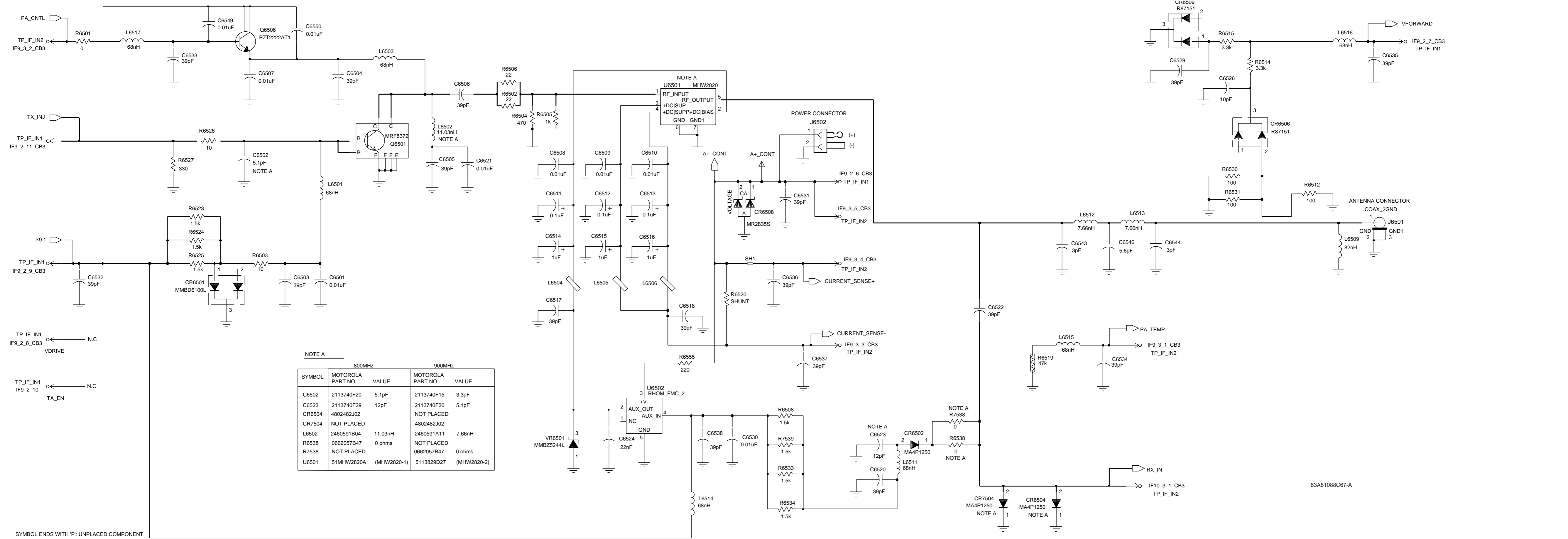
REFERENCE SYMBOL	MOTOROLA PART NUMBER	DESCRIPTION
C6521	2113741F49	0.01pF
C6522	2113740F41	39pF
C6523	2113740F20	5.1pF
C6524	2113743E07	0.022uF
C6526	2113740F27	10pF
C6529	2113740F41	39pF
C6530	2113741F49	0.01uF
C6531	2113740F41	39pF
C6532	2113740F41	39pF
C6533	2113740F41	39pF
C6534	2113740F41	39pF
C6535	2113740F41	39pF
C6536	2113740F41	39pF
C6537	2113740F41	39pF
C6538	2113740F41	39pF
C6543	2113742H25	3pF
C6544	2113742H25	3pF
C6546	2113742H32	5.6pF
C6549	2113741F49	0.01uF
C6550	2113741F49	0.01uF

REFERENCE SYMBOL	MOTOROLA PART NUMBER	DESCRIPTION
CR6501	4813833C02	DIODES: Dual, 70V
CR6502	4802482J02	PIN
CR6506	4805218N57	Dual Schottky Over/Reverse Voltage Protection
CR6508	4813832C77	Dual Schottky Zener, 14V
CR6509	4805218N57	Dual Schottky Zener, 14V
VR6501	4813830A27	
J6501	0905901V06	CONNECTORS: Antenna
J6502	0905902V03	Dc Power
L6501	2462587T13	INDUCTORS: 68nH
L6502	2460591A11	7.6nH
L6503	2462587T13	68nH
L6504	2484657R01	Ferrite Bead
L6505	2484657R01	Ferrite Bead
L6506	2484657R01	Ferrite Bead
L6509	2460591R53	82nH
L6511	2462587T13	68nH
L6512	2460591A11	7.6nH
L6513	2460591A11	7.6nH
L6514	2462587T13	68nH
L6515	2462587T13	68nH

REFERENCE SYMBOL	MOTOROLA PART NUMBER	DESCRIPTION
L6516	2462587T13	68nH
L6517	2462587T13	68nH
Q6501	4813827A26	TRANSISTORS: NPN
Q6506	4813824B01	NPN
R6502	0662057A09	RESISTORS: 22
R6503	0662057A01	10
R6504	0662057A41	470
R6505	0662057A49	1K
R6506	0662057A09	22
R6508	0662057A53	1.5K
R6512	0662057A25	68nH
R6514	0662057A61	3.3K
R6515	0662057A61	3.3K
R6519	0680361L01	50K Thermistor
R6520	1705603W01	Special Shunt
R6523	0662057A53	1.5K
R6524	0662057A53	1.5K
R6525	0662057A53	1.5K
R6526	0662057A01	10
R6527	0662057A37	330
R6530	0662057A25	100
R6531	0662057A25	100

REFERENCE SYMBOL	MOTOROLA PART NUMBER	DESCRIPTION
R6533	0662057A53	1.5K
R6534	0662057A53	1.5K
R6555	0662057A33	220
R7538	0662057B47	0
R7539	0662057A53	1.5K
U6501	51MHW2820A	INTEGRATED CIRCUITS: RF Power Amplifier Module
U6502	4805921T02	Switch
	8408497Y01 Issue P2	PRINTED CIRCUIT BOARDS (For Reference Only): For Kit FLF5952A

- NOTE:
- All resistance values are in ohms unless indicated otherwise.
 - Components shown on component location and schematic diagrams but not included in parts list are not placed.



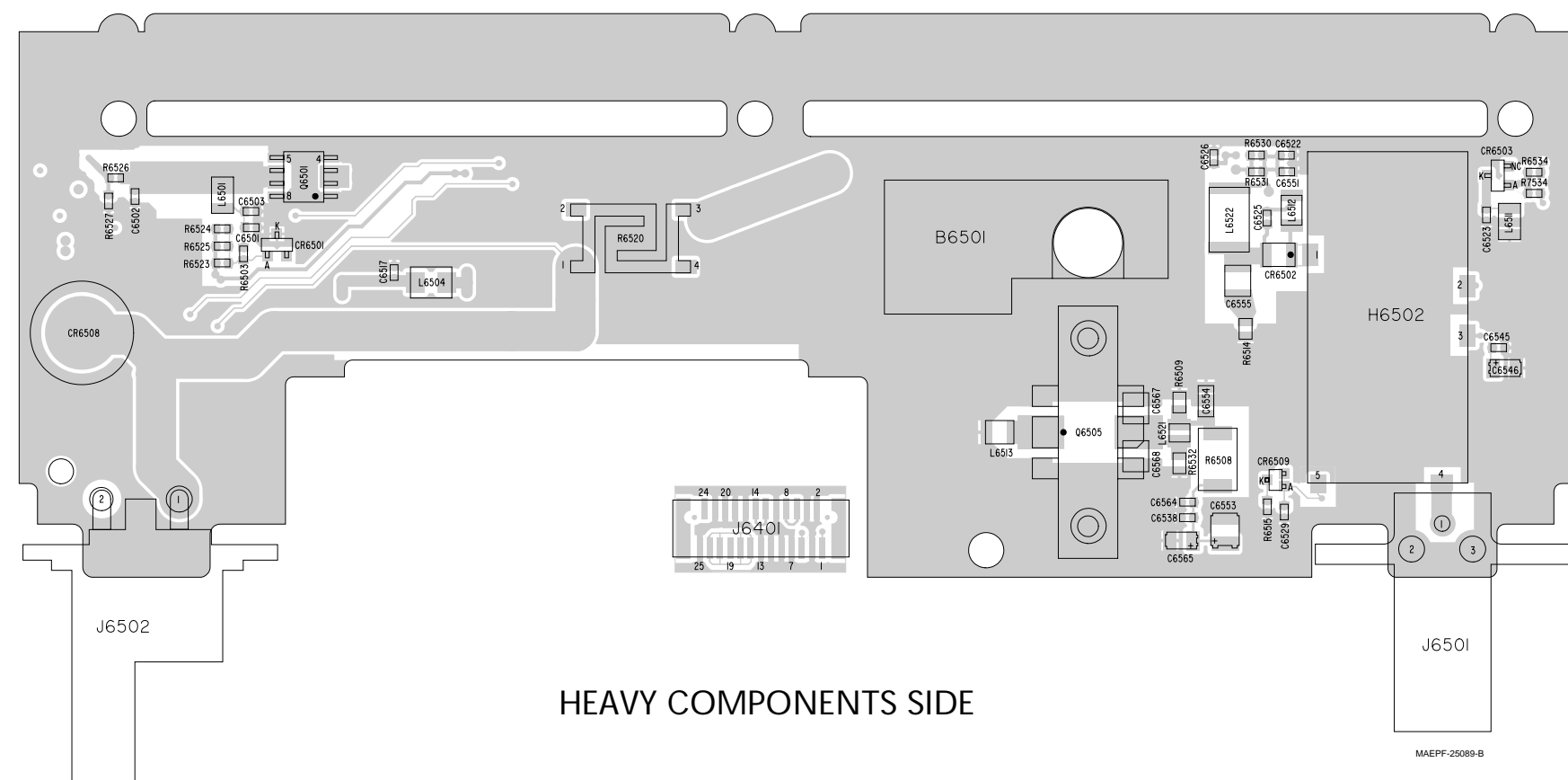
NOTE A

SYMBOL	MOTOROLA PART NO.	800MHz		900MHz	
		VALUE	MOTOROLA PART NO.	VALUE	
C6502	2113740F20	5.1pF	2113740F15	3.3pF	
C6523	2113740F29	12pF	2113740F20	5.1pF	
CR6504	4802482J02	NOT PLACED	4802482J02	NOT PLACED	
CR7504	NOT PLACED	NOT PLACED	4802482J02	NOT PLACED	
L6502	2460591B04	11.03nH	2460591A11	7.66nH	
R6538	0662057B47	0 ohms	NOT PLACED	NOT PLACED	
R7538	NOT PLACED	0662057B47	0 ohms	0 ohms	
U6501	51MHW2820A	(MHW2820-1)	5113829D27	(MHW2820-2)	

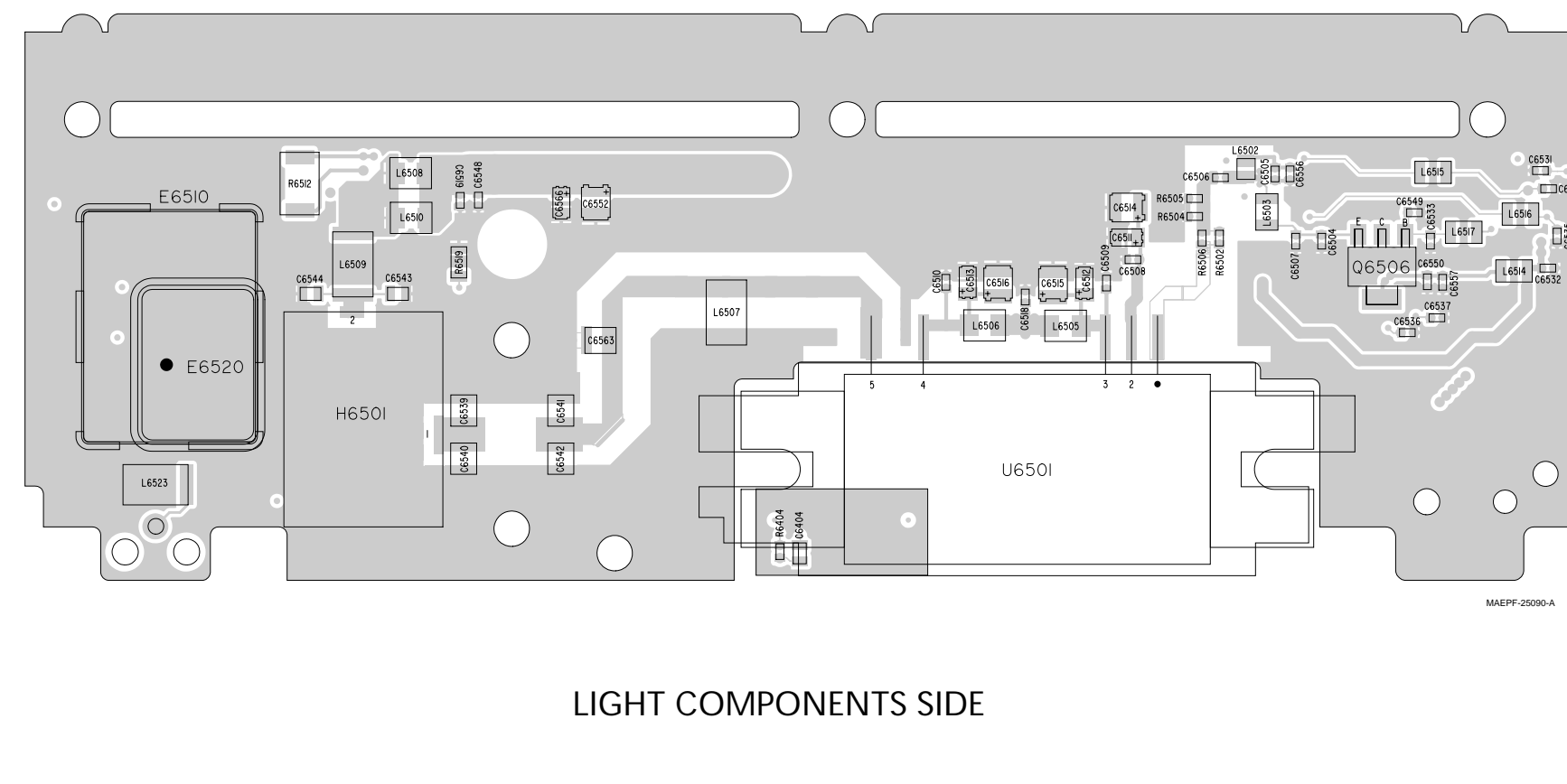
SYMBOL ENDS WITH 'P': UNPLACED COMPONENT

63A81088C67-A

30-WATT POWER AMPLIFIER COMPONENT LOCATIONS



HEAVY COMPONENTS SIDE



LIGHT COMPONENTS SIDE

30-WATT POWER AMPLIFIER PARTS LIST

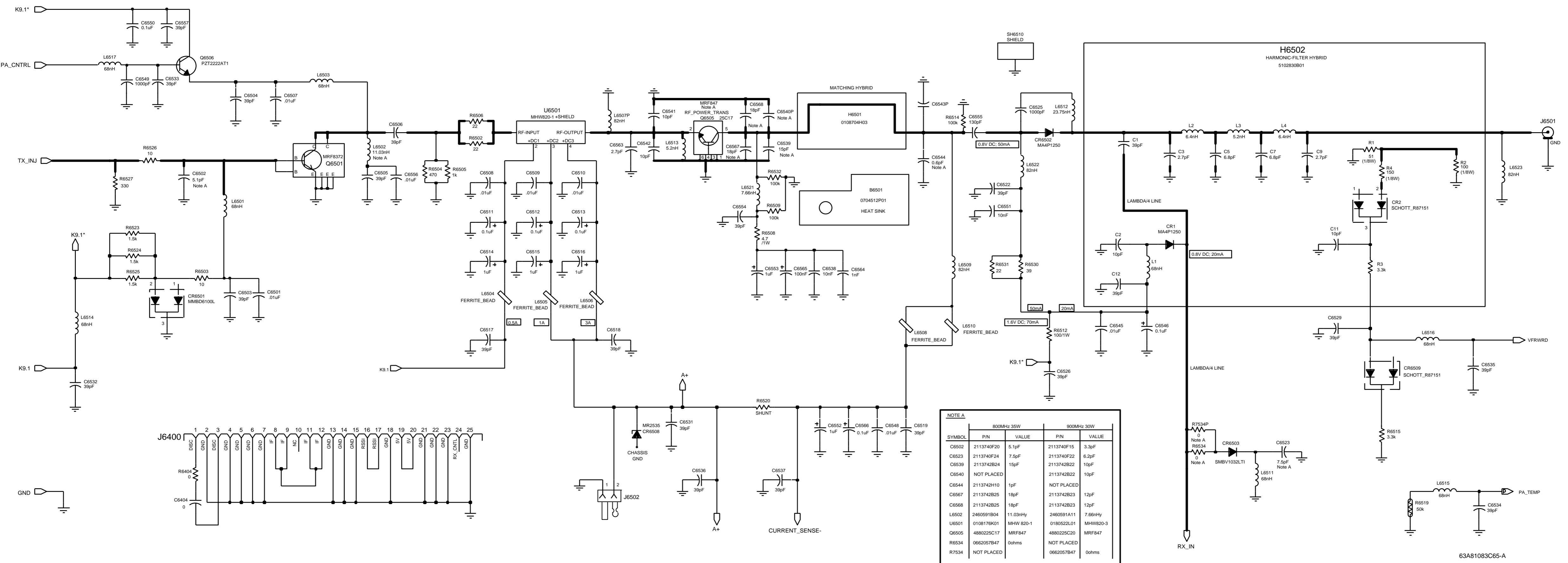
REFERENCE SYMBOL	MOTOROLA PART NUMBER	DESCRIPTION
B6501	0704512P01	MISCELLANEOUS PARTS: Heat Sink
CAPACITORS:		
C6501	2113741F49	0.01uF
C6502	2113740F15	3.3pF
C6503	2113740F41	39pF
C6504	2113740F41	39pF
C6505	2113740F41	39pF
C6506	2113740F41	39pF
C6507	2113741F49	0.01uF
C6508	2113741F49	0.01uF
C6509	2113741F49	0.01uF
C6510	2113741F49	0.01uF
C6511	2311049A01	0.1uF
C6512	2311049A01	0.1uF
C6513	2311049A01	0.1uF
C6514	2311049A08	1uF
C6515	2311049A08	1uF
C6516	2311049A08	1uF
C6517	2113740F41	39pF
C6518	2113740F41	39pF
C6519	2113740F41	39pF
C6522	2113740F41	39pF
C6523	2113740F22	6.2pF
C6525	2113741F25	1000pF
C6526	2113740F41	39pF
C6529	2113740F41	39pF
C6531	2113740F41	39pF
C6532	2113740F41	39pF
C6533	2113740F41	39pF
C6534	2113740F41	39pF
C6535	2113740F41	39pF
C6536	2113740F41	39pF
C6537	2113740F41	39pF
C6538	2113741F49	0.01uF
C6539	2113742B22	10pF
C6540	2113742B22	10pF
C6541	2113742B22	10pF
C6542	2113742B22	10pF
C6545	2113741F49	0.01uF
C6546	2311049A01	0.1uF
C6548	2113741F49	0.01uF
C6549	2113741F25	1000pF
C6550	2113743K15	0.1uF
C6551	2113741F49	0.01uF

REFERENCE SYMBOL	MOTOROLA PART NUMBER	DESCRIPTION
C6552	2311049A08	1uF
C6553	2311049A08	1uF
C6554	2113740B39	39pF
C6555	2111078B45	130pF
C6556	2113741F49	0.01uF
C6557	2113740F41	39pF
C6563	2113742H24	2.7pF
C6564	2113741F25	1000pF
C6565	2311049A01	0.1uF
C6566	2311049A01	0.1uF
C6567	2113742B23	12pF
C6568	2113742B23	12pF
DIODES:		
CR6501	4813833C02	MMBD6100L
CR6502	4802482J02	MA4P1250
CR6503	4805129M96	SMBV1032LT1
CR6508	4880222R01	Zener, 28 Volts
CR6509	4805218N57	Schottky
SPECIAL MAGNETICS:		
H6501	0108704H03	Matching Hybrid
H6502	5102830B01	Harmonic Filter Hybrid
CONNECTORS:		
J6401	2813916B13	25-Pin Male SMD
J6501	0980322L01	Antenna
J6502	0905902V01	Dc Power
INDUCTORS:		
L6501	2462587T13	68nH
L6502	2460591A11	7.66nH
L6503	2462587T13	68nH
L6504	2484657R01	Ferrite Bead
L6505	2484657R01	Ferrite Bead
L6506	2484657R01	Ferrite Bead
L6508	2484657R01	Ferrite Bead
L6509	2460591R53	82nH
L6510	2484657R01	Ferrite Bead
L6511	2462587T13	68nH
L6512	2460591E24	23.75nH
L6513	2460591A01	5.2nH
L6514	2462587T13	68nH
L6515	2462587T13	68nH
L6516	2462587T13	68nH
L6517	2462587T13	68nH
L6521	2460591A11	7.6nH

REFERENCE SYMBOL	MOTOROLA PART NUMBER	DESCRIPTION
L6522	2460591R53	82nH
L6523	2460591R53	82nH
TRANSISTORS:		
Q6501	4813827A26	MRF8372 (NPN)
Q6505	4880225C20	MRF847/900MHz (NPN) (with coffin)
Q6506	4813824B01	PTZ2222AT1 (NPN)
RESISTORS:		
R6502	0662057A09	22
R6503	0662057A01	10
R6504	0662057A41	470
R6505	0662057A49	1K
R6506	0662057A09	22
R6508	0683962T17	4.7
R6509	0662057G13	100K
R6512	0683962T49	100K
R6514	0662057G13	100K
R6515	0662057A61	3.3K
R6519	0605621T02	50K Thermistor
R6520	1705603W01	Shunt
R6523	0662057A53	1.5K
R6524	0662057A53	1.5K
R6525	0662057A53	1.5K
R6526	0662057A01	10
R6527	0662057A37	330
R6530	0662057A15	39
R6531	0662057A09	22
R6532	0662057G13	100K
R7534	0662057B47	0.0
INTEGRATED CIRCUITS:		
U6501	0180522L01	Power Amplifier Module 900 MP MHW820-3
PRINTED CIRCUIT BOARDS (For Reference Only)		
	8404994E05 Issue P5	For Kit FLF5592A, B, C
	8486005J01 Issue P1	For Kit FUF5752A

NOTES:

- All resistance values are in ohms unless indicated otherwise.
- Components shown on parts location and schematic diagrams but not included in parts list are not placed.



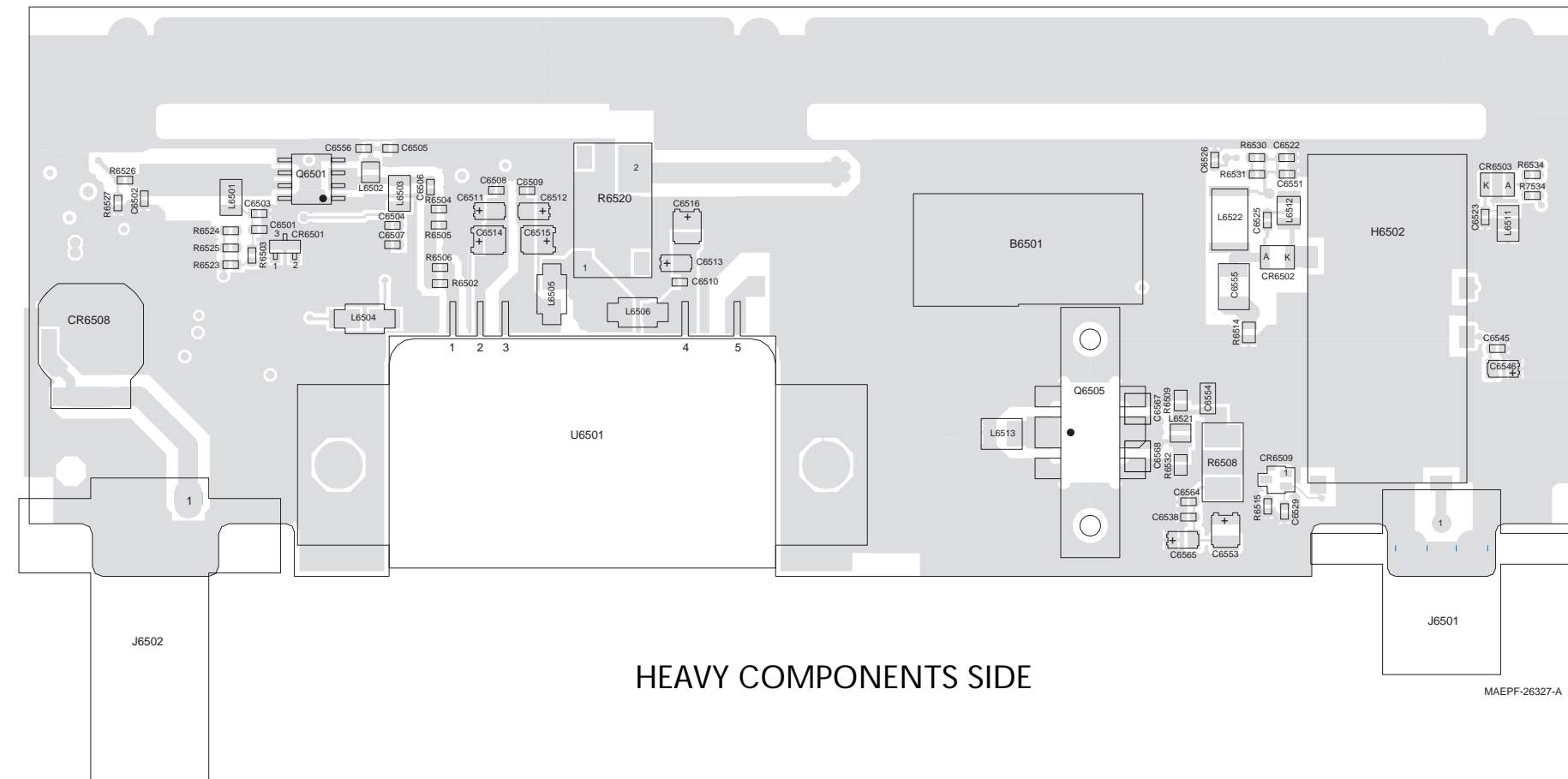
NOTE A

SYMBOL	800MHz 35W		900MHz 30W	
	P/N	VALUE	P/N	VALUE
C6502	2113740F20	5.1pF	2113740F15	3.3pF
C6523	2113740F24	7.5pF	2113740F22	6.2pF
C6539	2113742B24	15pF	2113742B22	10pF
C6540	NOT PLACED		2113742B22	10pF
C6544	2113742H10	1pF	NOT PLACED	
C6567	2113742B25	18pF	2113742B23	12pF
C6568	2113742B25	18pF	2113742B23	12pF
L6502	2460591B04	11.03nH	2460591A11	7.66nH
U6501	0108176K01	MHW 820-1	0180522L01	MHW820-3
Q6505	4880225C17	MRF847	4880225C20	MRF847
R6534	0662057B47	0ohms	NOT PLACED	
R7534	NOT PLACED		0662057B47	0ohms

SYMBOLS ENDING IN "P" ARE UNPLACED COMPONENTS.

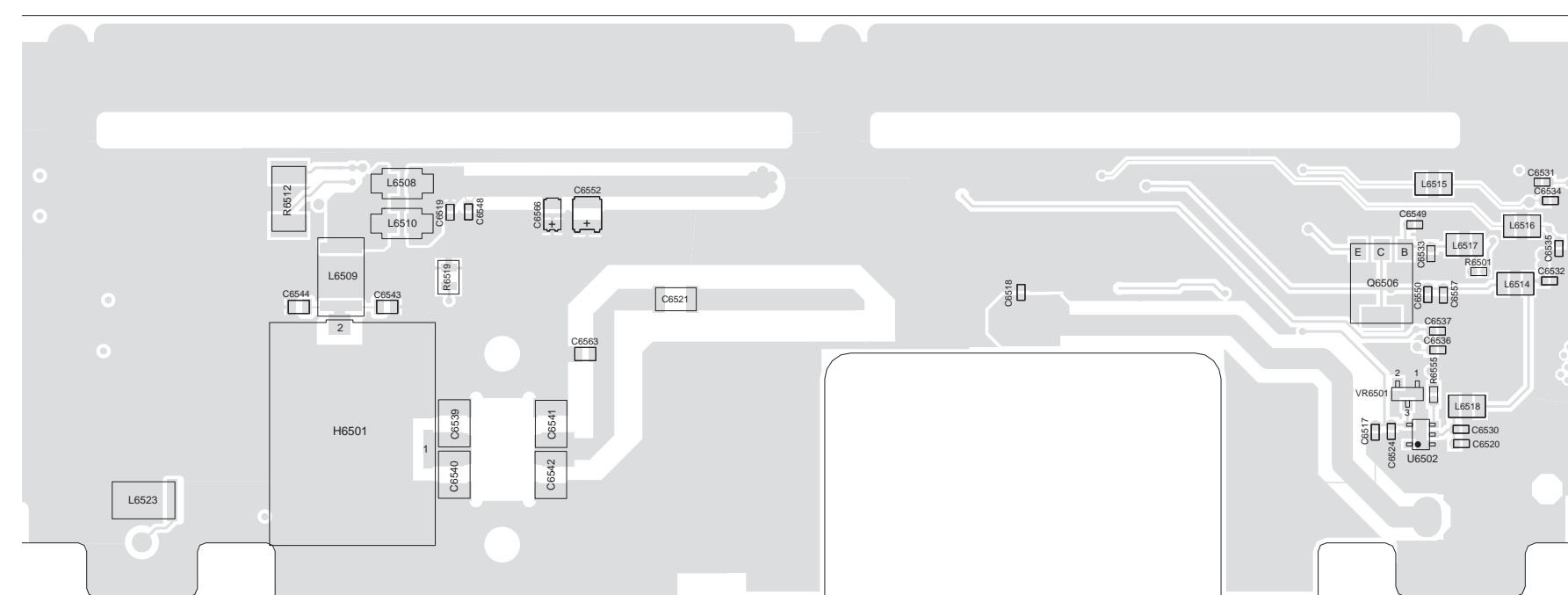
30-Watt Power Amplifier (Kits FLF5592A, B, C; FUF5752A; HUF1191A) Schematic Diagram

30-WATT POWER AMPLIFIER COMPONENT LOCATIONS



HEAVY COMPONENTS SIDE

MAEPF-26327-A



LIGHT COMPONENTS SIDE

MAEPF-26328-O

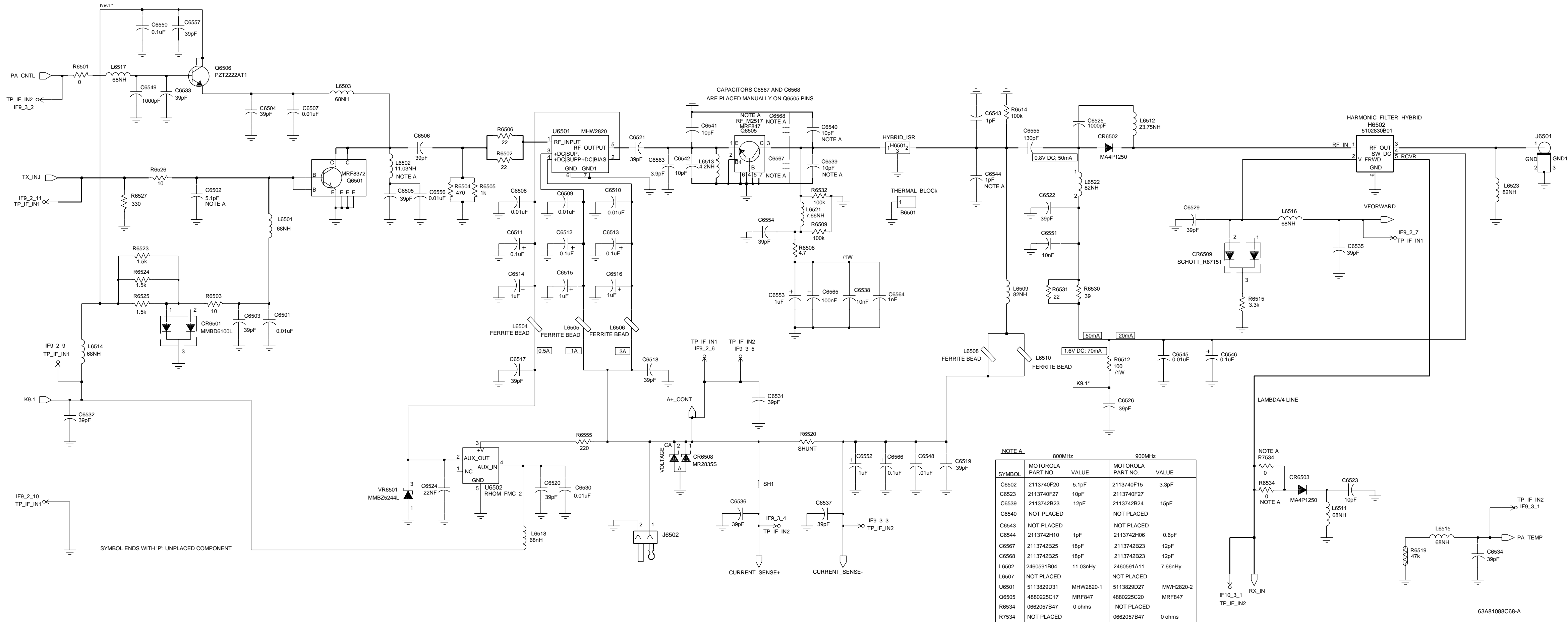
30-WATT POWER AMPLIFIER PARTS LIST

REFERENCE SYMBOL	MOTOROLA PART NUMBER	DESCRIPTION
B6501	0704512P01	MISCELLANEOUS PARTS: Heat Sink
CAPACITORS:		
C6501	2113741F49	0.01uF
C6502	2113740F15	3.3pF
C6503	2113740F41	39pF
C6504	2113740F41	39pF
C6505	2113740F41	39pF
C6506	2113740F41	39pF
C6507	2113741F49	0.01uF
C6508	2113741F49	0.01uF
C6509	2113741F49	0.01uF
C6510	2113741F49	0.01uF
C6511	2311049A01	0.1uF
C6512	2311049A01	0.1uF
C6513	2311049A01	0.1uF
C6514	2311049A08	1uF
C6515	2311049A08	1uF
C6516	2311049A08	1uF
C6517	2113740F41	39pF
C6518	2113740F41	39pF
C6519	2113740F41	39pF
C6520	2113740F41	39pF
C6522	2113740F41	39pF
C6523	2113740F27	10pF
C6524	2113743E07	0.022uF
C6525	2113741F25	1000pF
C6526	2113740F41	39pF
C6529	2113740F41	39pF
C6530	2113741F49	0.01uF
C6531	2113740F41	39pF
C6532	2113740F41	39pF
C6533	2113740F41	39pF
C6534	2113740F41	39pF
C6535	2113740F41	39pF
C6536	2113740F41	39pF
C6537	2113740F41	39pF
C6538	2113741F49	0.01uF
C6539	2113742B22	10pF
C6540	2113742B22	10pF
C6541	2113742B22	10pF
C6542	2113742B22	10pF
C6545	2113741F49	0.01uF
C6546	2311049A01	0.1uF
C6548	2113741F49	0.01uF
C6549	2113741F25	1000pF

REFERENCE SYMBOL	MOTOROLA PART NUMBER	DESCRIPTION
C6550	2113741F49	0.01uF
C6551	2113741F49	0.01uF
C6552	2311049A08	1uF
C6553	2311049A08	1uF
C6554	2113740B39	39pF
C6555	2111078B45	130pF
C6556	2113741F49	0.01uF
C6557	2113740F41	39pF
C6563	2113742H24	2.7pF
C6564	2113741F25	1000pF
C6565	2311049A01	0.1uF
C6566	2311049A01	0.1uF
C6567	2113742B23	12pF
C6568	2113742B23	12pF
DIODES:		
CR6501	4813833C02	Dual 70V
CR6502	4802482J02	PIV
CR6503	4802482J02	PIV
CR6508	4813832C77	Ov/Rvs Voltage Protect
CR6509	4805218N57	Dual Schottky
VR6501	4813830A27	Zener, 14 Volts
SPECIAL MAGNETICS:		
H6501	0108704H03	Matching Hybrid
H6502	5102830B01	Harmonic Filter Hybrid
CONNECTORS:		
J6501	0905901V06	Antenna
J6502	0905902V03	Dc Power
INDUCTORS:		
L6501	2462587T13	68nH
L6502	2460591A11	7.6nH
L6503	2462587T13	68nH
L6504	2484657R01	Ferrite Bead
L6505	2484657R01	Ferrite Bead
L6506	2484657R01	Ferrite Bead
L6508	2484657R01	Ferrite Bead
L6509	2460591R53	82nH
L6510	2484657R01	Ferrite Bead
L6511	2462587T13	68nH
L6512	2460591E24	23.75nH
L6513	2460591A01	5.2nH
L6514	2462587T13	68nH
L6515	2462587T13	68nH
L6516	2462587T13	68nH

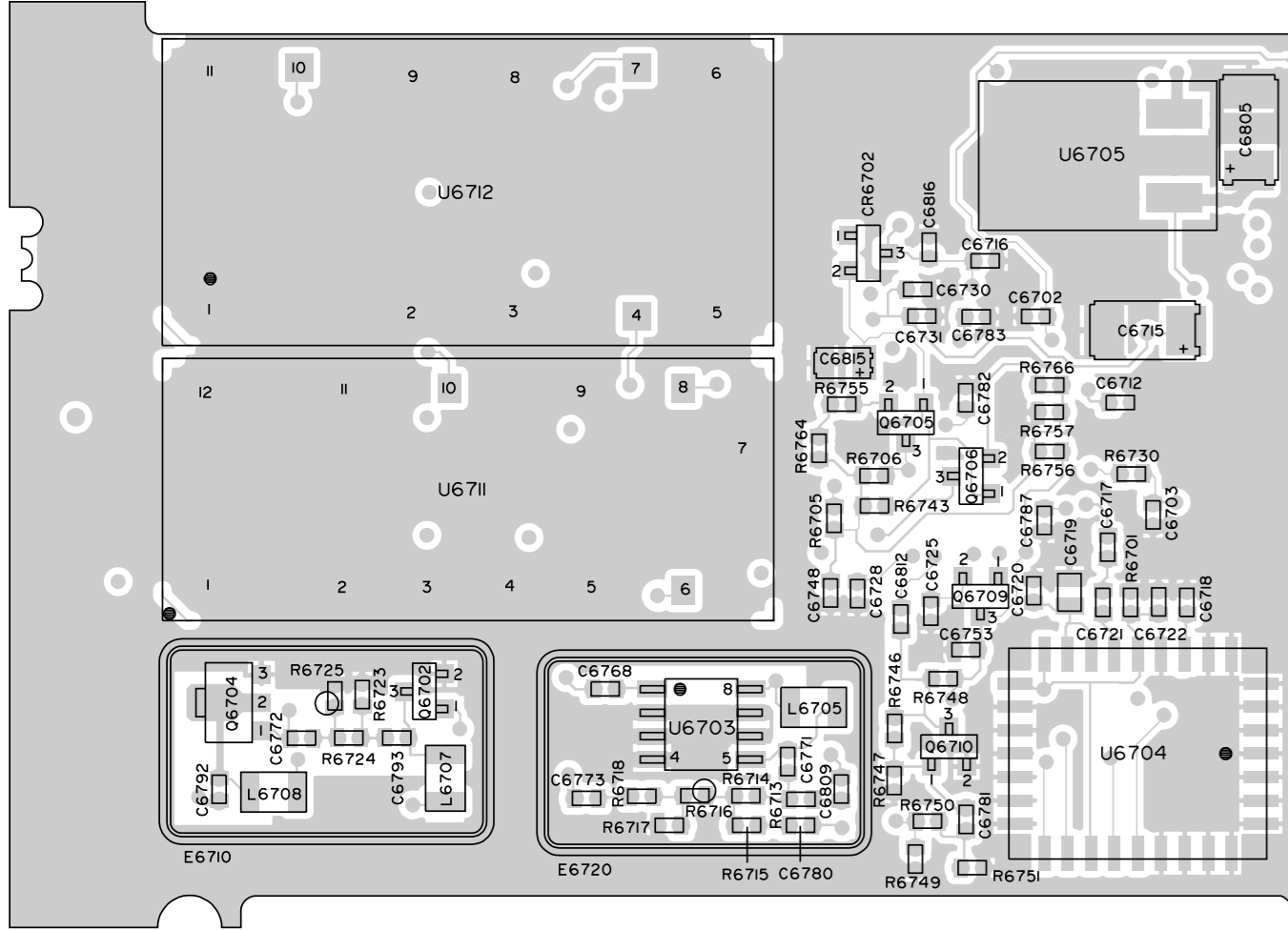
REFERENCE SYMBOL	MOTOROLA PART NUMBER	DESCRIPTION
L6517	2462587T13	68nH
L6518	2460597T13	68nH
L6521	2460591A11	7.6nH
L6522	2460591R53	82nH
L6523	2460591R53	82nH
TRANSISTORS:		
Q6501	4813827A26	MRF8372 (NPN)
Q6505	4880225C20	M25C20 (NPN)
Q6506	4813824B01	PZT222AT1 (NPN)
RESISTORS:		
R6502	0662057A09	22
R6503	0662057A01	10
R6504	0662057A41	470
R6505	0662057A49	1K
R6506	0662057A09	22
R6508	0683962T17	4.7
R6509	0662057G13	100K
R6512	0683962T49	100
R6514	0662057G13	100K
R6515	0662057A61	3.3K
R6519	0680361L01	50K Thermistor
R6520	1705603W01	Special Shunt
R6523	0662057A53	1.5K
R6524	0662057A53	1.5K
R6525	0662057A53	1.5K
R6526	0662057A01	10
R6527	0662057A37	330
R6530	0662057A15	39
R6531	0662057A09	22
R6532	0662057G13	100K
R6555	0662057A33	220
R7534	0662057B47	0
INTEGRATED CIRCUITS:		
U6501	51MHW2820A	Power Amplifier
U6502	4805921T02	Switch
Printed Circuit Board (For Reference Only):		
	8408537Y01	For Kit FLF5606A
	Issue P2	

NOTES:
 1. All resistance values are in ohms unless indicated otherwise.
 2. Components shown on parts location and schematic diagrams but not included in parts list are not placed.



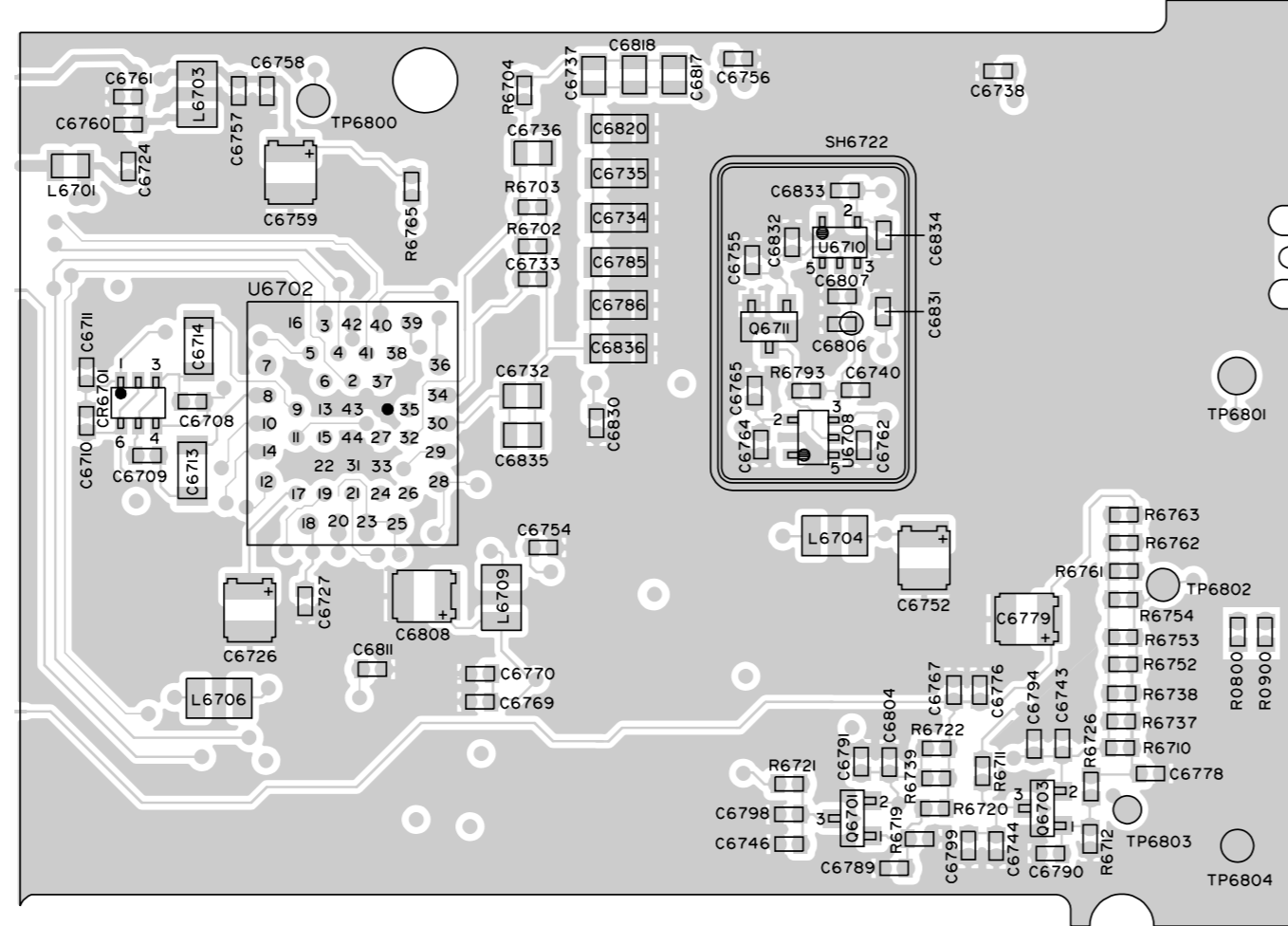
30-Watt Power Amplifier (Kit FLF5606A)
Schematic Diagram

SYNTHESIZER COMPONENT LOCATIONS



HEAVY COMPONENTS SIDE

MAEPF-25091-O



LIGHT COMPONENTS SIDE

MAEPF-25092-A

SYNTHESIZER PARTS LIST

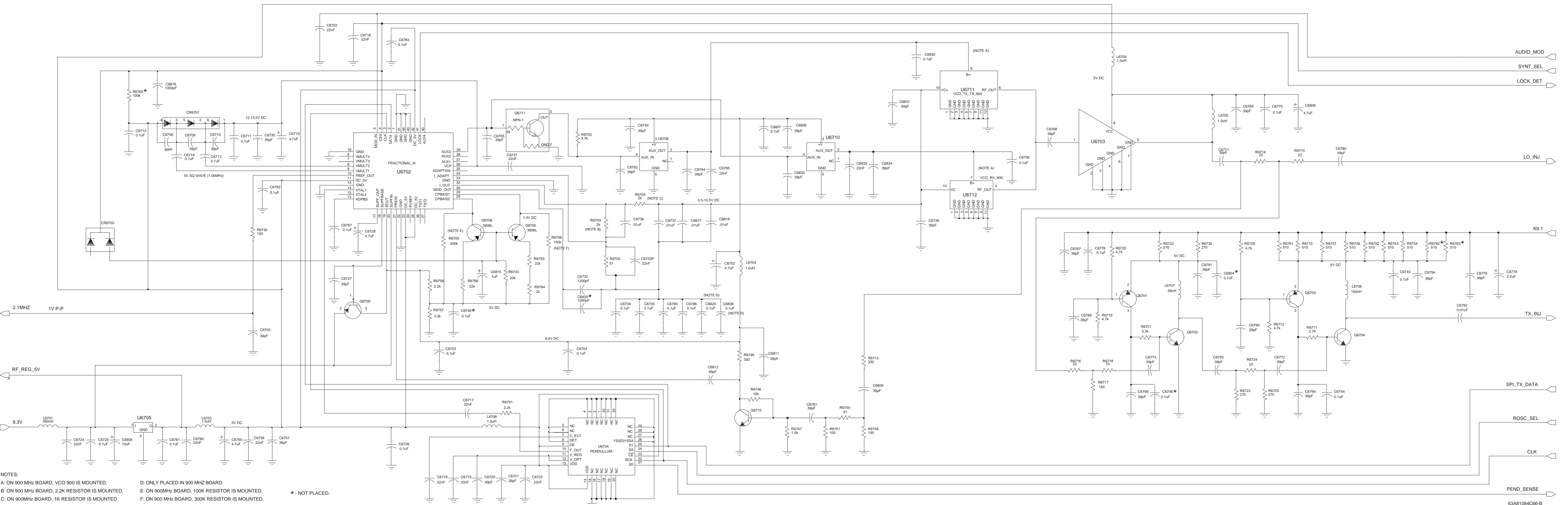
REFERENCE SYMBOL	MOTOROLA PART NO.	DESCRIPTION
C6702	2113743E07	CAPACITORS:
C6703	2113740F41	0.022uF
C6708	2113740F41	39pF
C6709	2113740F41	39pF
C6710	2113740F41	39pF
C6711	2113743K15	0.1uF
C6712	2113743K15	0.1uF
C6713	2109720D14	0.1uF
C6714	2109720D14	0.1uF
C6715	2311049A14	4.7uF
C6716	2113743E07	0.022uF
C6717	2113743E07	0.022uF
C6718	2113743E07	0.022uF
C6719	2113741A57	0.033uF
C6720	2113740F41	39pF
C6721	2113740F41	39pF
C6722	2113743E07	0.022uF
C6724	2113743E07	0.022uF
C6725	2113743K15	0.1uF
C6726	2311049J12	4.7uF
C6727	2113740F41	39pF
C6728	2113743K15	0.1uF
C6730	2113740F41	39pF
C6731	2113743E07	0.022uF
C6732	2105248W01	1000pF
C6734	2109720D14	0.1uF
C6735	2109720D14	0.1uF
C6736	2109720D01	0.01uF
C6737	2109720D01	0.01uF
C6738	2113740F41	39pF
C6740	2113740F41	39pF
C6743	2113743K15	0.1uF
C6744	2113743K15	0.1uF
C6752	2311049J12	4.7uF
C6753	2113743K15	0.1uF
C6754	2113743K15	0.1uF
C6755	2113740F41	39pF
C6756	2113743K15	0.1uF
C6757	2113740F41	39pF
C6758	2113743E07	0.022uF
C6759	2311049J12	4.7uF
C6760	2113743E07	0.022uF
C6761	2113743K15	0.1uF
C6762	2113740F41	39pF
C6764	2113740F41	39pF
C6765	2113743E07	0.022uF
C6767	2113740F41	39pF
C6768	2113740F41	39pF
C6769	2113740F41	39pF
C6770	2113743K15	0.1uF
C6771	2113740F41	39pF
C6772	2113740F41	39pF
C6773	2113740F41	39pF
C6776	2113743K15	0.1uF
C6778	2113740F41	39pF
C6779	2311049A09	2.2uF

REFERENCE SYMBOL	MOTOROLA PART NO.	DESCRIPTION
C6780	2113740F41	39pF
C6781	2113740F41	39pF
C6782	2113743K15	0.1uF
C6783	2113743K15	0.1uF
C6785	2109720D14	0.1uF
C6786	2109720D14	0.1uF
C6787	2113743K15	0.1uF
C6789	2113740F41	39pF
C6790	2113740F41	39pF
C6791	2113740F41	39pF
C6792	2113741F49	10nF
C6793	2113740F41	39pF
C6794	2113740F41	39pF
C6798	2113740F41	39pF
C6799	2113740F41	39pF
C6805	2311049J26	10uF
C6806	2113743K15	0.1uF
C6807	2113740F41	39pF
C6808	2311049J12	4.7uF
C6809	2113740F41	39pF
C6811	2113740F41	39pF
C6812	2113740F41	39pF
C6815	2311049A07	1.0uF
C6816	2113741F25	1nF
C6817	2109720D01	0.01uF
C6818	2109720D01	0.01uF
C6820	2109720D14	0.1uF
C6830	2113743K15	0.1uF
C6831	2113740F41	39pF
C6832	2113740F41	39pF
C6833	2113740F41	39pF
C6834	2113743E07	0.022uF
C6836	2109720D14	0.1uF
CR6701	4802233J09	DIODES: Triple
CR6702	4813833C02	Dual
L6701	2462587Q44	INDUCTORS: 560nH
L6703	2462587T30	1000nH
L6704	2462587T30	1000nH
L6705	2462587T30	1000nH
L6706	2462587T30	1000nH
L6707	2462587T12	56nH
L6708	2462587T17	150nH
L6709	2462587T30	1000nH
Q6701	4813824A17	TRANSISTORS: PNP
Q6702	4882022N70	NPN
Q6703	4813824A17	PNP
Q6704	4882971R01	NPN
Q6705	4813824A17	PNP
Q6706	4813824A17	PNP
Q6709	4813824A17	PNP
Q6710	4882022N70	NPN
Q6711	4880048M01	NPN 47K/47K

REFERENCE SYMBOL	MOTOROLA PART NO.	DESCRIPTION
R0900	0662057B47	RESISTORS: 0
R6701	0662057A57	2.2K
R6702	0662057A18	51
R6703	0662057A57	2.2K
R6704	0662057A49	1K
R6705	0662057A97	100K
R6706	0662057B09	300K
R6710	0662057A42	510
R6711	0662057A59	2.7K
R6712	0662057A65	4.7K
R6713	0662057A37	330
R6714	0662057A09	22
R6715	0662057A09	22
R6716	0662057A09	22
R6717	0662057A29	150
R6718	0662057A01	10
R6719	0662057A65	4.7K
R6720	0662057A65	4.7K
R6721	0662057A61	3.3K
R6722	0662057A35	270
R6723	0662057A35	270
R6724	0662057A09	22
R6725	0662057A35	270
R6726	0662057A65	4.7K
R6730	0662057A25	100
R6737	0662057A42	510
R6738	0662057A42	510
R6739	0662057A35	270
R6743	0662057A80	20K
R6746	0662057A73	10K
R6747	0662057A53	1.5K
R6748	0662057A37	330
R6749	0662057A25	100
R6750	0662057A18	51
R6751	0662057A25	100
R6752	0662057A42	510
R6753	0662057A42	510
R6754	0662057A42	510
R6755	0662057A81	22K
R6756	0662057A57	2.2K
R6757	0662057A61	3.3K
R6761	0662057A42	510
R6764	0662057A56	2K
R6766	0662057A81	22K
R6793	0662057A65	4.7K
U6702	5105625U31	INTEGRATED CIRCUITS: Fractional-N
U6703	5105625U27	NEC MMIC UPC1678G
U6704	5105279V31	16.8MHz Pendulum Oscillator.
U6705	5113816A07	5V Regulator
U6708	4805921T02	Transistor Switch
U6710	4805921T02	Transistor Switch
U6711	5180307L01	Tx VCO
U6712	5180307L02	Rx VCO

REFERENCE SYMBOL	MOTOROLA PART NO.	DESCRIPTION
SH6710	2602660J01	SHIELDS: TX INJ SHIELD
SH6720	2602660J01	TX INJ SHIELD
SH6722	2602660J01	TX INJ SHIELD
		Printed Circuit Boards (for reference only)
	8404416P04 Issue P4	For Kits FLF5591A, B, C
	8404994E05 Issue P5	For Kits FLF5592A, B, C
	8408559Y01 Issue P1	For Kit FLF5604A
	8486005J01 Issue P1	For Kit FUF5752A
	8408497Y01 Issue P2	For Kit FLF5952A
	8404416P05 Issue P5	For Kits HUF1190A
	8404994E05 Issue P5	For Kits HUF1191A

- NOTES:
- All resistance values are in ohms unless indicated otherwise.
 - Components shown on parts location and schematic diagrams but not included in parts list are not placed.



NOTES:
 A: ON 900 MHz BOARD, VCO 900 IS MOUNTED.
 B: ON 900 MHz BOARD, 2.2K RESISTOR IS MOUNTED.
 C: ON 900MHz BOARD, 1K RESISTOR IS MOUNTED.
 D: ONLY PLACED IN 900 MHz BOARD.
 E: ON 900MHz BOARD, 100K RESISTOR IS MOUNTED.
 F: ON 900 MHz BOARD, 300K RESISTOR IS MOUNTED.
 * - NOT PLACED.

63A81084C66-B

Synthesizer (Kits FLF5591A, B, C; FLF5592A, B, C; FLF5604A; FUF5752A; FLF5952A; FLF5606A; HUF1190A; HUF1191A) Schematic Diagram

NOTES

Table 2: Schematic Diagrams Interconnection List

From				To			
Signal Name	Node No.	Schematic Diagram Title	Publication No.	Signal Name	Node No.	Schematic Diagram Title	Publication No.
RX_IN		Receiver Front End	68P81080C44-B	RX_IN		Power Amplifier	68P81080C44-B
LO_INJ		Receiver Front End	68P81080C44-B	LO_INJ		Synthesizer	68P81080C44-B
IF_OUT		Receiver Front End	68P81080C44-B	IF_IN	IF5-1-1	Receiver IF	68P81080C44-B
RF_REG_5V		Receiver Front End	68P81080C44-B			See List of Common Voltages and Signals at End of This Table	
9.3		Receiver Front End	68P81080C44-B			See List of Common Voltages and Signals at End of This Table	
K9.1		Receiver Front End	68P81080C44-B			See List of Common Voltages and Signals at End of This Table	
IF_IN	IF5-1-1	Receiver IF	68P81080C44-B	IF_OUT		Receiver Front End	68P81080C44-B
IF_V_OUT	IF3-2-9	Receiver IF	68P81080C44-B	IF_IN		Receiver Back End	68P81080C44-B
DUPLEX LOCK DETECT	IF1-3-1	Receiver IF	68P81080C44-B				
DUPLEX LOCK DETECT	IF3-2-11	Receiver IF	68P81080C44-B				
RX_CNTL1	IF1-3-6	Receiver IF	68P81080C44-B	RX_CNTL1		Controller, Power Control/Main Controller	68P81083C20-B
RX_CNTL1	IF5-2-3	Receiver IF	68P81080C44-B	RX_CNTL1		Controller, Power Control/Main Controller	68P81083C20-B
RX_CNTL2	IF1-2-16	Receiver IF	68P81080C44-B				
DUPLEX_SYN_SELECT	IF1-2-19	Receiver IF	68P81080C44-B	DUPLEX_SYN_SEL		Controller/Main Controller	68P81083C20-B
GND	IF1-2-14	Receiver IF	68P81080C44-B				
GND	IF1-3-9	Receiver IF	68P81080C44-B				

Table 2: Schematic Diagrams Interconnection List

From				To			
Signal Name	Node No.	Schematic Diagram Title	Publication No.	Signal Name	Node No.	Schematic Diagram Title	Publication No.
GND	IF1-3-7	Receiver IF	68P81080C44-B				
CLK	IF1-3-5	Receiver IF	68P81080C44-B			See List of Common Voltages and Signals at End of This Table	
CLK	IF4-3-1	Receiver IF	68P81080C44-B			See List of Common Voltages and Signals at End of This Table	
CLK	IF3-3-2	Receiver IF	68P81080C44-B			See List of Common Voltages and Signals at End of This Table	
SPI_TX_DATA	IF1-3-4	Receiver IF	68P81080C44-B			See List of Common Voltages and Signals at End of This Table	
SPI_TX_DATA	IF3-3-3	Receiver IF	68P81080C44-B			See List of Common Voltages and Signals at End of This Table	
SPI_TX_DATA	IF4-3-9	Receiver IF	68P81080C44-B			See List of Common Voltages and Signals at End of This Table	
ROSC_SEL	IF1-2-13	Receiver IF	68P81080C44-B	ROSC_SEL		Synthesizer	68P81080C44-B
				ROSC_SEL		Controller/Main Controller	68P81083C20-B
ROSC_SEL	IF4-4-5	Receiver IF	68P81080C44-B	ROSC_SEL		Synthesizer	68P81080C44-B
				ROSC_SEL		Controller/Main Controller	68P81083C20-B
LOCK_DET	IF1-3-11	Receiver IF	68P81080C44-B	LOCK_DET		Synthesizer	68P81080C44-B
				LOCK_DET		Controller/Main Controller	68P81083C20-B
LOCK_DET	IF4-4-3	Receiver IF	68P81080C44-B	LOCK_DET		Synthesizer	68P81080C44-B
				LOCK_DET		Controller/Main Controller	68P81083C20-B
AUDIO_MOD	IF1-2-12	Receiver IF	68P81080C44-B	AUDIO_MOD		Synthesizer	68P81080C44-B
				AUDIO_MOD		Controller, ASFIC/Audio Block Diagram/Main Controller	68P81083C20-B
AUDIO_MOD	IF4-1-6	Receiver IF	68P81080C44-B	AUDIO_MOD		Synthesizer	68P81080C44-B

Table 2: Schematic Diagrams Interconnection List

From				To			
Signal Name	Node No.	Schematic Diagram Title	Publication No.	Signal Name	Node No.	Schematic Diagram Title	Publication No.
				AUDIO_MOD		Controller, ASFIC/Audio Block Diagram/Main Controller	68P81083C20-B
SYN_SEL	IF1-3-10	Receiver IF	68P81080C44-B	SYN_SEL		Controller/Main Controller	68P81083C20-B
SYN_SEL	IF4-3-4	Receiver IF	68P81080C44-B	SYN_SEL		Controller/Main Controller	68P81083C20-B
				SYNT_SEL		Synthesizer	68P81080C44-B
2.1MHZ	IF1-3-8	Receiver IF	68P81080C44-B			See List of Common Voltages and Signals at End of This Table	
2.1MHZ	IF3-3-5	Receiver IF	68P81080C44-B			See List of Common Voltages and Signals at End of This Table	
2.1MHZ	IF4-2-7	Receiver IF	68P81080C44-B			See List of Common Voltages and Signals at End of This Table	
SQUELCH	IF1-2-17	Receiver IF	68P81080C44-B	SQUELCH_IN		Controller, ASFIC/Audio Block Diagram/Main Controller	68P81083C20-B
				SQUELCH		Receiver Back End	68P81080C44-B
SQUELCH	IF3-2-16	Receiver IF	68P81080C44-B	SQUELCH_IN		Controller, ASFIC/Audio Block Diagram/Main Controller	68P81083C20-B
				SQUELCH		Receiver Back End	68P81080C44-B
ZIF_SEL	IF1-2-18	Receiver IF	68P81080C44-B	ZIF_SEL		Controller/Main Controller	68P81083C20-B
ZIF_SEL	IF3-2-1	Receiver IF	68P81080C44-B	ZIF_SEL		Controller/Main Controller	68P81083C20-B
				ZIF_SEL		Receiver Back End	68P81080C44-B
DISC	IF1-3-2	Receiver IF	68P81080C44-B	DISC		Controller, Hear Clear/Audio Block Diagram/Main Controller	68P81083C20-B
				DISC		Receiver Back End	68P81080C44-B

Table 2: Schematic Diagrams Interconnection List

From				To			
Signal Name	Node No.	Schematic Diagram Title	Publication No.	Signal Name	Node No.	Schematic Diagram Title	Publication No.
				DISC		Controller, ASFIC/Audio Block Diagram/Main Controller	68P81083C20-B
DISC	IF3-3-4	Receiver IF	68P81080C44-B	DISC		Controller, Hear Clear/Audio Block Diagram/Main Controller	68P81083C20-B
				DISC		Receiver Back End	68P81080C44-B
				DISC		Controller, ASFIC/Audio Block Diagram/Main Controller	68P81083C20-B
RSSI	IF1-3-3	Receiver IF	68P81080C44-B			See List of Common Voltages and Signals at End of This Table	
RSSI	IF3-3-7	Receiver IF	68P81080C44-B			See List of Common Voltages and Signals at End of This Table	
PEND_TEMP	IF4-4-10	Receiver IF	68P81080C44-B				
9.3	IF1-2-15	Receiver IF	68P81080C44-B			See List of Common Voltages and Signals at End of This Table	
9.3	IF4-4-2	Receiver IF	68P81080C44-B			See List of Common Voltages and Signals at End of This Table	
9.3	IF5-3-2	Receiver IF	68P81080C44-B			See List of Common Voltages and Signals at End of This Table	
RF_REG_5V	IF4-4-8	Receiver IF	68P81080C44-B			See List of Common Voltages and Signals at End of This Table	
RF_REG_5V	IF5-4-4	Receiver IF	68P81080C44-B			See List of Common Voltages and Signals at End of This Table	
RF_REG_5V	IF3-4-8	Receiver IF	68P81080C44-B			See List of Common Voltages and Signals at End of This Table	
IF_IN		Receiver Back End	68P81080C44-B	IF_V_OUT	IF3-2-9	Receiver IF	68P81080C44-B
RF_REG_5V		Receiver Back End	68P81080C44-B			See List of Common Voltages and Signals at End of This Table	

Table 2: Schematic Diagrams Interconnection List

From				To			
Signal Name	Node No.	Schematic Diagram Title	Publication No.	Signal Name	Node No.	Schematic Diagram Title	Publication No.
SQUELCH		Receiver Back End	68P81080C44-B	SQUELCH	IF1-2-17	Receiver IF	68P81080C44-B
				SQUELCH	IF3-2-16	Receiver IF	68P81080C44-B
				SQUELCH_IN		Controller, ASFIC/Audio Block Diagram/Main Controller	68P81083C20-B
DISC		Receiver Back End	68P81080C44-B	DISC		Controller, Hear Clear/audio Block Diagram/Main Controller	68P81083C20-B
				DISC	IF1-3-2	Receiver IF	68P81080C44-B
				DISC	IF3-3-4	Receiver IF	68P81080C44-B
				DISC		Controller, ASFIC/Audio Block Diagram/Main Controller	68P81083C20-B
2.1MHZ		Receiver Back End	68P81080C44-B			See List of Common Voltages and Signals at End of This Table	
ZIF_SEL		Receiver Back End	68P81080C44-B	ZIF_SEL		Controller/Main Controller	68P81083C20-B
				ZIF_SEL	IF1-2-18	Receiver IF	68P81080C44-B
				ZIF_SEL	IF3-2-1	Receiver IF	68P81080C44-B
CLK		Receiver Back End	68P81080C44-B			See List of Common Voltages and Signals at End of This Table	
SPI_TX_DATA		Receiver Back End	68P81080C44-B			See List of Common Voltages and Signals at End of This Table	
RSSI		Receiver Back End	68P81080C44-B			See List of Common Voltages and Signals at End of This Table	
PA_CNTL		Power Amplifier	68P81080C44-B	PA_CNTL		Controller, Power Control/Main Controller	68P81083C20-B
TX_INJ		Power Amplifier	68P81080C44-B	TX_INJ		Synthesizer	68P81080C44-B
K9.1		Power Amplifier	68P81080C44-B			See List of Common Voltages and Signals at End of This Table	

Table 2: Schematic Diagrams Interconnection List

From				To			
Signal Name	Node No.	Schematic Diagram Title	Publication No.	Signal Name	Node No.	Schematic Diagram Title	Publication No.
VDRIVE		Power Amplifier	68P81080C44-B	VDRIVE		Controller, Power Control/Main Controller	68P81083C20-B
TA_EN		Power Amplifier	68P81080C44-B				
A+		Power Amplifier	68P81080C44-B			See List of Common Voltages and Signals at End of This Table	
CURRENT_SENSE+		Power Amplifier	68P81080C44-B	CURRENT_SENSE+		Controller, Power Control/Main Controller	68P81083C20-B
CURRENT_SENSE-		Power Amplifier	68P81080C44-B	CURRENT_SENSE-		Controller, Power Control/Main Controller	68P81083C20-B
VFORWARD		Power Amplifier	68P81080C44-B	V_FORWARD		Controller, Power Control/Main Controller	68P81083C20-B
PA_TEMP		Power Amplifier	68P81080C44-B	PA_TEMP		Controller, Power Control/Main Controller	68P81083C20-B
RX_IN		Power Amplifier	68P81080C44-B	RX_IN		Receiver Front End	68P81080C44-B
2.1MHZ		Synthesizer	68P81080C44-B			See List of Common Voltages and Signals at End of This Table	
RF_REG_5V		Synthesizer	68P81080C44-B			See List of Common Voltages and Signals at End of This Table	
9.3V		Synthesizer	68P81080C44-B			See List of Common Voltages and Signals at End of This Table	
AUDIO_MOD		Synthesizer	68P81080C44-B	AUDIO_MOD	IF1-2-12	Receiver IF	68P81080C44-B
				AUDIO_MOD	IF4-1-6	Receiver IF	68P81080C44-B
				AUDIO_MOD		Controller, ASFIC/audio Block Diagram/Main Controller	68P81083C20-B
SYNT_SEL		Synthesizer	68P81080C44-B	SYN_SEL	IF1-3-10	Receiver IF	68P81080C44-B
				SYN_SEL	IF4-3-4	Receiver IF	68P81080C44-B

Table 2: Schematic Diagrams Interconnection List

From				To			
Signal Name	Node No.	Schematic Diagram Title	Publication No.	Signal Name	Node No.	Schematic Diagram Title	Publication No.
				SYN_SEL		Controller/Main Controller	68P81083C20-B
LOCK_DET		Synthesizer	68P81080C44-B	LOCK_DET		Controller/Main Controller	68P81083C20-B
				LOCK_DET	IF1-3-11	Receiver IF	68P81080C44-B
				LOCK_DET	IF4-4-3	Receiver IF	68P81080C44-B
LO_INJ		Synthesizer	68P81080C44-B	LO_INJ		Receiver Front End	68P81080C44-B
K9.1		Synthesizer	68P81080C44-B			See List of Common Voltages and Signals at End of This Table	
TX_INJ		Synthesizer	68P81080C44-B	TX_INJ		Power Amplifier	68P81080C44-B
SPI_TX_DATA		Synthesizer	68P81080C44-B			See List of Common Voltages and Signals at End of This Table	
ROSC_SEL		Synthesizer	68P81080C44-B	ROSC_SEL	IF1-2-13	Receiver IF	68P81080C44-B
				ROSC_SEL	IF4-4-5	Receiver IF	68P81080C44-B
				ROSC_SEL		Controller/Main Controller	68P81083C20-B
CLK		Synthesizer	68P81080C44-B			See List of Common Voltages and Signals at End of This Table	
PEND_SENSE		Synthesizer	68P81080C44-B				
VDRIVE		Controller, Power Control/ MainController	68P81083C20-B	VDRIVE		Power Amplifier	68P81080C44-B
PWR_RANGE		Controller, Power Control/ MainController	68P81083C20-B	PWR_RANGE		Controller/Main Controller	8P81083C20-B
V_FORWARD		Controller, Power Control/ MainController	68P81083C20-B	VFORWARD		Power Amplifier	68P81080C44-B
VFWD_BUF		Controller, Power Control/ MainController	68P81083C20-B	VFWD_BUF		Audio PA & Voltage Regulators	68P81083C20-B

Table 2: Schematic Diagrams Interconnection List

From				To			
Signal Name	Node No.	Schematic Diagram Title	Publication No.	Signal Name	Node No.	Schematic Diagram Title	Publication No.
VSUM		Controller, Power Control/ Main Controller	68P81083C20-B	VSUM		Audio PA & Voltage Regulators	68P81083C20-B
CLK		Controller, Power Control/ MainController	68P81083C20-B			See List of Common Voltages and Signals at End of This Table	
DA_SEL		Controller, Power Control/ MainController	68P81083C20-B	DA_SEL		Controller/Main Controller	68P81083C20-B
SPI_TX_DATA		Controller, Power Control/ MainController	68P81083C20-B			See List of Common Voltages and Signals at End of This Table	
TEMP_GND		Controller, Power Control/ MainController	68P81083C20-B				
CURRENT_SE NSE+		Controller, Power Control/ Main Controller	68P81083C20-B	CURRENT_ SENSE+		Power Amplifier	68P81080C44-B
CURRENT_SE NSE-		Controller, Power Control/ MainController	68P81083C20-B	CURRENT_ SENSE-		Power Amplifier	68P81080C44-B
PA_TEMP		Controller, Power Control/ MainController	68P81083C20-B	PA_TEMP		Power Amplifier	68P81080C44-B
PA_DIS		Controller, Power Control/ MainController	68P81083C20-B	PA_DIS		Controller/Main Controller	68P81083C20-B
K9.1_ENB		Controller, Power Control/ MainController	68P81083C20-B	K9.1_ENB		Controller/Main Controller	68P81083C20-B
9.3V		Controller, Power Control/ MainController	68P81083C20-B			See List of Common Voltages and Signals at End of This Table	
SW_B+		Controller, Power Control/ MainController	68P81083C20-B			See List of Common Voltages and Signals at End of This Table	
+5V		Controller, Power Control/ MainController	68P81083C20-B			See List of Common Voltages and Signals at End of This Table	
PA_CNTL_LIM		Controller, Power Control/ MainController	68P81083C20-B				

Table 2: Schematic Diagrams Interconnection List

From				To			
Signal Name	Node No.	Schematic Diagram Title	Publication No.	Signal Name	Node No.	Schematic Diagram Title	Publication No.
PA_CNTL		Controller, Power Control/ MainController	68P81083C20-B	PA_CNTL		Power Amplifier	68P81080C44-B
TEMP		Controller, Power Control/ MainController	68P81083C20-B	TEMP		Controller/Main Controller	68P81083C20-B
RX_CNTL1		Controller, Power Control/Main Controller	68P81083C20-B	RX_CNTL1	IF1-3-6	Receiver IF	68P81080C44-B
				RX_CNTL1	IF5-2-3	Receiver IF	68P81080C44-B
K9.1V		Controller, Power Control/ MainController	68P81083C20-B			See List of Common Voltages and Signals at End of This Table	
A+_CONT		Audio PA & Voltage Regulators/ Controller Interface	68P81083C20-B			See List of Common Voltages and Signals at End of This Table	
UNSW_5V		Audio PA & Voltage Regulators	68P81083C20-B	UNSW_+5V		Controller, Emergency Ignition/ Controller Interface/Main Controller	68P81083C20-B
CL_UNSW_5V		Audio PA & Voltage Regulators	68P81083C20-B				
+5V		Audio PA & Voltage Regulators	68P81083C20-B			See List of Common Voltages and Signals at End of This Table	
SW_B+		Audio PA & Voltage Regulators	68P81083C20-B			See List of Common Voltages and Signals at End of This Table	
AUPA_EN		Audio PA & Voltage Regulators	68P81083C20-B	AUPA_EN		Controller/Main Controller	68P81083C20-B
RX_AUDIO		Audio PA & Voltage Regulators	68P81083C20-B	RX_AUDIO		Controller, ASFIC/Audio Block Diagram/Main Controller	68P81083C20-B
SPKR+		Audio PA & Voltage Regulators/ Controller Interface	68P81083C20-B	SPKR+	J0403-1	Controller Interface	68P81083C20-B
SPKR-		Audio PA & Voltage Regulators/ Controller Interface	68P81083C20-B	SPKR-	J0403-3	Controller Interface	68P81083C20-B
					J0405-2	Controller Interface	68P81083C20-B

Table 2: Schematic Diagrams Interconnection List

From				To			
Signal Name	Node No.	Schematic Diagram Title	Publication No.	Signal Name	Node No.	Schematic Diagram Title	Publication No.
A+		Audio PA & Voltage Regulators	68P81083C20-B			See List of Common Voltages and Signals at End of This Table	
B+_ON_OFF		Audio PA & Voltage Regulators/ Controller Interface	68P81083C20-B	B+_ON_OFF		Controller, Emergency Ignition/ Controller Interface/Main Controller	68P81083C20-B
IGNITION_ CLEAR		Audio PA & Voltage Regulators	68P81083C20-B	IGNITION_ CLEAR		Controller/Main Controller	68P81083C20-B
B+_IGNITION		Audio PA & Voltage Regulators/ Controller Interface	68P81083C20-B	B+_IGNITION		Controller, Emergency Ignition/ Controller Interface/Main Controller	68P81083C20-B
9.3		Audio PA & Voltage Regulators	68P81083C20-B			See List of Common Voltages and Signals at End of This Table	
Vdd		Audio PA & Voltage Regulators	68P81083C20-B			See List of Common Voltages and Signals at End of This Table	
Vaud		Audio PA & Voltage Regulators	68P81083C20-B	Vaud		Controller, ASFIC/Audio Block Diagram/Main Controller	68P81083C20-B
PWR_RST		Audio PA & Voltage Regulators	68P81083C20-B	PWR_RST		Controller, ASFIC/Audio Block Diagram/Main Controller	68P81083C20-B
				PWR_RST		Controller/Main Controller	68P81083C20-B
VFWD_BUF		Audio PA & Voltage Regulators	68P81083C20-B	VFWD_BUF		Controller, Power Control/Main Controller	68P81083C20-B
VSUM		Audio PA & Voltage Regulators	68P81083C20-B	VSUM		Controller, Power Control/Main Controller	68P81083C20-B
EXP_FILTERED_AUDIO		Controller, ASFIC/Audio Block Diagram/Main Controller	68P81083C20-B	EXP_FILTERED_AUDIO		Controller, Hear Clear/Audio Block Diagram/Main Controller	68P81083C20-B
AUX_RX_IN1		Controller, ASFIC/Audio Block Diagram/Main Controller/Con- troller Interface	68P81083C20-B	AUX_RX_IN1	J0401-9	Controller Interface	68P81083C20-B

Table 2: Schematic Diagrams Interconnection List

From				To			
Signal Name	Node No.	Schematic Diagram Title	Publication No.	Signal Name	Node No.	Schematic Diagram Title	Publication No.
AUX_RX_IN2		Controller, ASFIC/Audio Block Diagram/Main Controller/Controller Interface	68P81083C20-B	AUX_RX_IN2	J0403-12	Controller Interface	68P81083C20-B
AUX_RX_IN3		Controller, ASFIC/Audio Block Diagram/Main Controller/Controller Interface	68P81083C20-B	AUX_RX_IN3	J0408-9	Controller Interface	68P81083C20-B
AUX_TX_IN1		Controller, ASFIC/Audio Block Diagram/Main Controller/Controller Interface	68P81083C20-B	AUX_TX_IN1	J0401-14	Controller Interface	68P81083C20-B
AUX_TX_IN2		Controller, ASFIC/Audio Block Diagram/Main Controller/Controller Interface	68P81083C20-B	AUX_TX_IN2	J0403-24	Controller Interface	68P81083C20-B
AUX_TX_IN3		Controller, ASFIC/Audio Block Diagram/Main Controller/Controller Interface	68P81083C20-B	AUX_TX_IN3	J0408-14	Controller Interface	68P81083C20-B
9.3V		Controller, ASFIC/Audio Block Diagram/Main Controller	68P81083C20-B			See List of Common Voltages and Signals at End of This Table	
VAG		Controller, ASFIC/Audio Block Diagram/Main Controller	68P81083C20-B	VAG		Controller, IO RSSI Buffers Controller Interface/Main Controller	68P81083C20-B
Vaud		Controller, ASFIC/Audio Block Diagram/Main Controller	68P81083C20-B	Vaud		Audio PA & Voltage Regulators	68P81083C20-B
CLK		Controller, ASFIC/Audio Block Diagram/Main Controller	68P81083C20-B			See List of Common Voltages and Signals at End of This Table	
PL_TX		Controller, ASFIC/Audio Block Diagram/Main Controller	68P81083C20-B	PL_TX		Controller/Main Controller	68P81083C20-B
2.1MHZ		Controller, ASFIC/Audio Block Diagram/Main Controller	68P81083C20-B			See List of Common Voltages and Signals at End of This Table	
TX_DATA		Controller, ASFIC/Audio Block Diagram/Main Controller	68P81083C20-B	TX_DATA		Controller/Main Controller	68P81083C20-B

Table 2: Schematic Diagrams Interconnection List

From				To			
Signal Name	Node No.	Schematic Diagram Title	Publication No.	Signal Name	Node No.	Schematic Diagram Title	Publication No.
LG_DTMF		Controller, ASFIC/Audio Block Diagram/Main Controller	68P81083C20-B	LG_DTMF		Controller/Main Controller	68P81083C20-B
ASFIC_SEL		Controller, ASFIC/Audio Block Diagram/Main Controller	68P81083C20-B	ASFIC_SEL		Controller/Main Controller	68P81083C20-B
SPI_TX_DATA		Controller, ASFIC/Audio Block Diagram/Main Controller	68P81083C20-B			See List of Common Voltages and Signals at End of This Table	
EXP_AUDIO		Controller, ASFIC/Audio Block Diagram/Main Controller	68P81083C20-B	EXP_AUDIO		Controller, Hear Clear/Audio Block Diagram/Main Controller	68P81083C20-B
RX_IN		Controller, ASFIC/Audio Block Diagram/Main Controller	68P81083C20-B	RX_IN		Controller, Hear Clear/Audio Block Diagram/Main Controller	68P81083C20-B
TRL_HD2:KEY_FAIL		Controller, ASFIC/Audio Block Diagram/Main Controller	68P81083C20-B	TRL_HD2:KEY_FAIL	J0405-11	Controller Interface	68P81083C20-B
SQUELCH_IN		Controller, ASFIC/Audio Block Diagram/Main Controller	68P81083C20-B	SQUELCH	IF1-2-17	Receiver IF	68P81080C44-B
				SQUELCH	IF3-2-16	Receiver IF	68P81080C44-B
MIC_VOLTAGE		Controller, ASFIC/Audio Block Diagram/Main Controller	68P81083C20-B	MIC_VOLTAGE		Controller, Emergency Ignition/Controller Interface/Main Controller	68P81083C20-B
MIC_IN		Controller, ASFIC/Audio Block Diagram/Main Controller	68P81083C20-B	MIC_IN		Controller, Emergency Ignition/Controller Interface/Main Controller	68P81083C20-B
DISC		Controller, ASFIC/Audio Block Diagram/Main Controller	68P81083C20-B	DISC		Controller, Hear Clear/Audio Block Diagram/Main Controller	68P81083C20-B
				DISC		Receiver IF	68P81080C44-B
				DISC	IF1-3-2	Receiver IF	68P81080C44-B
				DISC	IF3-3-4	Receiver Back End	68P81080C44-B
EXT_MIC_IN		Controller, ASFIC/Audio Block Diagram/Main Controller	68P81083C20-B	EXT_MIC_IN	J0403-23	Controller Interface	68P81083C20-B

Table 2: Schematic Diagrams Interconnection List

From				To			
Signal Name	Node No.	Schematic Diagram Title	Publication No.	Signal Name	Node No.	Schematic Diagram Title	Publication No.
TX_IN		Controller, ASFIC/Audio Block Diagram/Main Controller	68P81083C20-B	TX_IN		Controller, Hear Clear/Audio Block Diagram/Main Controller	68P81083C20-B
RSSI		Controller, ASFIC/Audio Block Diagram/Main Controller	68P81083C20-B			See List of Common Voltages and Signals at End of This Table	
PWR_RST		Controller, ASFIC/Audio Block Diagram/Main Controller	68P81083C20-B	PWR_RST		Audio PA & Voltage Regulators	68P81083C20-B
				PWR_RST		Controller/Main Controller	68P81083C20-B
RX_HI&FIL_ AUDIO_OUT		Controller, ASFIC/Audio Block Diagram/Main Controller	68P81083C20-B	RX_HI&FIL_ AUDIO_OUT	J0403-11	Controller Interface	68P81083C20-B
RX_HI		Controller, ASFIC/Audio Block Diagram/Main Controller	68P81083C20-B	RX_HI	J0405-8	Controller Interface	68P81083C20-B
1200		Controller, ASFIC/Audio Block Diagram/Main Controller	68P81083C20-B	1200		Controller/Main Controller	68P81083C20-B
UP_CLK		Controller, ASFIC/Audio Block Diagram/Main Controller	68P81083C20-B	UP_CLK		Controller/Main Controller	68P81083C20-B
PL_RX		Controller, ASFIC/Audio Block Diagram/Main Controller	68P81083C20-B	PL_RX		Controller/Main Controller	68P81083C20-B
RX_DATA		Controller, ASFIC/Audio Block Diagram/Main Controller	68P81083C20-B	RX_DATA		Controller/Main Controller	68P81083C20-B
RX_AUDIO		Controller, ASFIC/Audio Block Diagram/Main Controller	68P81083C20-B	RX_AUDIO		Audio PA & Voltage Regulators	68P81083C20-B
FILTERED_ AUDIO		Controller, ASFIC/Audio Block Diagram/Main Controller	68P81083C20-B	FILTERED_ AUDIO		Controller, Hear Clear/Audio Block Diagram/Main Controller	68P81083C20-B
ASFIC_MIC_ AUD_OUT		Controller, ASFIC/Audio Block Diagram/Main Controller	68P81083C20-B	ASFIC_MIC_ AUD_OUT		Controller, Hear Clear/Audio Block Diagram/Main Controller	68P81083C20-B
VOX		Controller, ASFIC/Audio Block Diagram/Main Controller	68P81083C20-B	VOX		Controller/Main Controller	68P81083C20-B

Table 2: Schematic Diagrams Interconnection List

From				To			
Signal Name	Node No.	Schematic Diagram Title	Publication No.	Signal Name	Node No.	Schematic Diagram Title	Publication No.
ASFIC_PRE-EMP_OUT		Controller, ASFIC/Audio Block Diagram/Main Controller	68P81083C20-B	ASFIC_PRE-EMP_OUT	J0401-7, J0408-7		68P81083C20-B
AUDIO_MOD		Controller, ASFIC/Audio Block Diagram/Main Controller	68P81083C20-B	AUDIO_MOD	IF1-2-12	Receiver IF	68P81080C44-B
				AUDIO_MOD	IF4-1-6	Receiver IF	68P81080C44-B
				AUDIO_MOD		Synthesizer	68P81080C44-B
FF_EN		Controller, ASFIC/Audio Block Diagram/Main Controller	68P81083C20-B	FF_EN		Controller, Hear Clear/audio Block Diagram/Main Controller	68P81083C20-B
HCI_DIS		Controller, ASFIC/Audio Block Diagram/Main Controller	68P81083C20-B	HCI_DIS		Controller, Hear Clear/audio Block Diagram/Main Controller	68P81083C20-B
LC_DIS		Controller, ASFIC/Audio Block Diagram/Main Controller	68P81083C20-B	LC_DIS		Controller, Hear Clear/audio Block Diagram/Main Controller	68P81083C20-B
COMP_EN		Controller, ASFIC/Audio Block Diagram/Main Controller	68P81083C20-B	COMP_EN		Controller, Hear Clear/audio Block Diagram/Main Controller	68P81083C20-B
HI_CLMP_EN		Controller, ASFIC/Audio Block Diagram/Main Controller	68P81083C20-B	HI_CLMP_EN		Controller, Hear Clear/audio Block Diagram/Main Controller	68P81083C20-B
CH_ACT		Controller, ASFIC/Audio Block Diagram/Main Controller	68P81083C20-B	CH_ACT		Controller/Main Controller	68P81083C20-B
SQ_DET		Controller, ASFIC/Audio Block Diagram/Main Controller	68P81083C20-B	SQ_DET		Controller/Main Controller	68P81083C20-B
UNIV_IO		Controller, ASFIC/Audio Block Diagram/Main Controller	68P81083C20-B	UNIV_IO	J0401-10, J0408-10	Controller Interface	68P81083C20-B
				UNIV_IO		Controller, IO RSSI Buffers/Controller Interface/Main Controller	68P81083C20-B
COMP_EN		Controller, Hear Clear/Audio Block Diagram/Main Controller	68P81083C20-B	COMP_EN		Controller, ASFIC/Audio Block Diagram/Main Controller	68P81083C20-B

Table 2: Schematic Diagrams Interconnection List

From				To			
Signal Name	Node No.	Schematic Diagram Title	Publication No.	Signal Name	Node No.	Schematic Diagram Title	Publication No.
FF_EN		Controller, Hear Clear/audio Block Diagram/Main Controller	68P81083C20-B	FF_EN		Controller, ASFIC/Audio Block Diagram/Main Controller	68P81083C20-B
HI_CLMP_EN		Controller, Hear Clear/Audio Block Diagram/Main Controller	68P81083C20-B	HI_CLMP_EN		Controller, ASFIC/Audio Block Diagram/Main Controller	68P81083C20-B
RSSI		Controller, Hear Clear/Audio Block Diagram/Main Controller	68P81083C20-B			See List of Common Voltages and Signals at End of This Table	
DISC		Controller, Hear Clear/Audio Block Diagram/Main Controller	68P81083C20-B	DISC	IF1-3-2	Receiver IF	68P81080C44-B
				DISC	IF3-3-4	Receiver IF	68P81080C44-B
				DISC		Receiver Back End	68P81080C44-B
				DISC		Controller, ASFIC/Audio Block Diagram/Main Controller	68P81083C20-B
HCI_DIS		Controller, Hear Clear/Audio Block Diagram/Main Controller	68P81083C20-B	HCI_DIS		Controller, ASFIC/Audio Block Diagram/Main Controller	68P81083C20-B
LC_DIS		Controller, Hear Clear/Audio Block Diagram/Main Controller	68P81083C20-B	LC_DIS		Controller, ASFIC/Audio Block Diagram/Main Controller	68P81083C20-B
FILTERED_AUDIO		Controller, Hear Clear/Audio Block Diagram/Main Controller	68P81083C20-B	FILTERED_AUDIO		Controller, ASFIC/Audio Block Diagram/Main Controller	68P81083C20-B
ASFIC_MIC_AUD_OUT		Controller, Hear Clear/Audio Block Diagram/Main Controller	68P81083C20-B	ASFIC_MIC_AUD_OUT		Controller, ASFIC/Audio Block Diagram/Main Controller	68P81083C20-B
9.3V		Controller, Hear Clear/Audio Block Diagram/Main Controller	68P81083C20-B			See List of Common Voltages and Signals at End of This Table	
EXP_FILTERED_AUDIO		Controller, Hear Clear/Audio Block Diagram/Main Controller	68P81083C20-B	EXP_FILTERED_AUDIO		Controller, ASFIC/Audio Block Diagram/Main Controller	68P81083C20-B
EXP_AUDIO		Controller, Hear Clear/Audio Block Diagram/Main Controller	68P81083C20-B	EXP_AUDIO		Controller, ASFIC/Audio Block Diagram/Main Controller	68P81083C20-B

Table 2: Schematic Diagrams Interconnection List

From				To			
Signal Name	Node No.	Schematic Diagram Title	Publication No.	Signal Name	Node No.	Schematic Diagram Title	Publication No.
RX_IN		Controller, Hear Clear/Audio Block Diagram/Main Controller	68P81083C20-B	RX_IN		Controller, ASFIC/Audio Block Diagram/Main Controller	68P81083C20-B
TX_IN		Controller, Hear Clear/Audio Block Diagram/Main Controller	68P81083C20-B	TX_IN		Controller, ASFIC/Audio Block Diagram/Main Controller	68P81083C20-B
UNIV_IO		Controller, IO RSSI Buffers/Controller Interface/Main Controller	68P81083C20-B	UNIV_IO	J0401-10, J0408-10	Controller Interface	68P81083C20-B
				UNIV_IO		Controller, ASFIC/Audio Block Diagram/Main Controller	68P81083C20-B
RSSI		Controller, IO RSSI Buffers/Controller Interface/Main Controller	68P81083C20-B			See List of Common Voltages and Signals at End of This Table	
UNIV_IO_OUT		Controller, IO RSSI Buffers/Controller Interface/Main Controller	68P81083C20-B	BUFFERED DISCRIMINATOR	J0403-25		68P81083C20-B
RSSI_OUT		Controller, IO RSSI Buffers/Controller Interface/Main Controller	68P81083C20-B	RSSI_OUT		Controller/Main Controller	68P81083C20-B
				RSSI_OUT	J0403-22	Controller Interface	68P81083C20-B
9.3V		Controller, IO RSSI Buffers/Controller Interface/Main Controller	68P81083C20-B			See List of Common Voltages and Signals at End of This Table	
Vdd		Controller, IO RSSI Buffers/Controller Interface/Main Controller	68P81083C20-B			See List of Common Voltages and Signals at End of This Table	
VAG		Controller, IO RSSI Buffers/Controller Interface/Main Controller	68P81083C20-B	VAG		Controller, ASFIC/Audio Block Diagram/Main Controller	68P81083C20-B

Table 2: Schematic Diagrams Interconnection List

From				To			
Signal Name	Node No.	Schematic Diagram Title	Publication No.	Signal Name	Node No.	Schematic Diagram Title	Publication No.
MIC_VOLTAGE		Controller, Emergency Ignition/ Controller Interface/Main Controller	68P81083C20-B	MIC_VOLTAGE		Controller, ASFIC/Audio Block Diagram/Main Controller	68P81083C20-B
MIC_IN		Controller, Emergency Ignition/ Controller Interface/Main Controller	68P81083C20-B	MIC_IN		Controller, ASFIC/Audio Block Diagram/Main Controller	68P81083C20-B
EMERGENCY		Controller, Emergency Ignition/ Controller Interface/Main Controller	68P81083C20-B	EMERGENCY	J0403-9	Controller Interface	68P81083C20-B
B+_CTRL		Controller, Emergency Ignition/ Controller Interface/Main Controller	68P81083C20-B	B+_CTRL		Controller/Main Controller	68P81083C20-B
IGNITION		Controller, Emergency Ignition/ Controller Interface/Main Controller	68P81083C20-B	IGNITION	J0403-15	Controller Interface	68P81083C20-B
SW_B+_SENSE		Controller, Emergency Ignition/ Controller Interface/Main Controller	68P81083C20-B	SW_B+_SENSE		Controller/Main Controller	68P81083C20-B
B+_ON_OFF		Controller, Emergency Ignition/ Controller Interface/Main Controller	68P81083C20-B	B+_ON_OFF		Audio PA & Voltage Regulators/ Controller Interface	68P81083C20-B
EMER_OUT		Controller, Emergency Ignition/ Controller Interface/Main Controller	68P81083C20-B	EMER_IN		Controller/Main Controller	68P81083C20-B
A+_SENSE		Controller, Emergency Ignition/ Controller Interface/Main Controller	68P81083C20-B	A+_SENSE		Controller/Main Controller	68P81083C20-B
IGNITION_SENSE		Controller, Emergency Ignition/ Controller Interface/Main Controller	68P81083C20-B	IGNITION_SENSE		Controller/Main Controller	68P81083C20-B

Table 2: Schematic Diagrams Interconnection List

From				To			
Signal Name	Node No.	Schematic Diagram Title	Publication No.	Signal Name	Node No.	Schematic Diagram Title	Publication No.
B+_IGNITION		Controller, Emergency Ignition/ Controller Interface/Main Controller	68P81083C20-B	B+_IGNITION		Audio PA & Voltage Regulators/ Controller Interface	68P81083C20-B
+5V		Controller, Emergency Ignition/ Controller Interface/Main Controller	68P81083C20-B			See List of Common Voltages and Signals at End of This Table	
SW_B+		Controller, Emergency Ignition/ Controller Interface/Main Controller	68P81083C20-B			See List of Common Voltages and Signals at End of This Table	
UNSW_+5V		Controller, Emergency Ignition/ Controller Interface/Main Controller	68P81083C20-B	UNSW_5V		Audio PA & Voltage Regulators	68P81083C20-B
Vdd		Controller, Emergency Ignition/ Controller Interface/Main Controller	68P81083C20-B			See List of Common Voltages and Signals at End of This Table	
BUS-		Controller, SCI Drivers/Control- ler Interface/Main Controller	68P81083C20-B	BUS-	J0405-4, J0403-18	Controller Interface	68P81083C20-B
BUS+		Controller, SCI Drivers/Control- ler Interface/Main Controller	68P81083C20-B	BUS+	J0405-15, J0403-6	Controller Interface	68P81083C20-B
SCI_TX		Controller, SCI Drivers/Control- ler Interface/Main Controller	68P81083C20-B	SCI_TX		Controller/Main Controller	68P81083C20-B
BUSY_OUT		Controller, SCI Drivers/Control- ler Interface/Main Controller	68P81083C20-B	BUSY_OUT		Controller/Main Controller	68P81083C20-B
BUSY		Controller, SCI Drivers/Control- ler Interface/Main Controller	68P81083C20-B	BUSY	J0405-14, J0403-5	Controller Interface	68P81083C20-B
RESET_OUT		Controller, SCI Drivers/Control- ler Interface/Main Controller	68P81083C20-B	RESET_OUT		Controller/Main Controller	68P81083C20-B
LH_RESET		Controller, SCI Drivers/Control- ler Interface/Main Controller	68P81083C20-B	RESET	J0403-17	Controller Interface	68P81083C20-B

Table 2: Schematic Diagrams Interconnection List

From				To			
Signal Name	Node No.	Schematic Diagram Title	Publication No.	Signal Name	Node No.	Schematic Diagram Title	Publication No.
				RESET	J0405-3 (Via Shorting Resistor R0125)	Controller Interface	68P81083C20-B
SCI_RX		Controller, SCI Drivers/Controller Interface/Main Controller	68P81083C20-B	SCI_RX		Controller/Main Controller	68P81083C20-B
SCI_ECHO		Controller, SCI Drivers/Controller Interface/Main Controller	68P81083C20-B	SCI_ECHO		Controller	68P81083C20-B
BUS_SCI		Controller, SCI Drivers/Controller Interface/Main Controller	68P81083C20-B				
BUSY_IN		Controller, SCI Drivers/Controller Interface/Main Controller	68P81083C20-B	BUSY_IN		Controller/Main Controller	68P81083C20-B
RESET_IN		Controller, SCI Drivers/Controller Interface/Main Controller	68P81083C20-B	RESET_IN		Controller/Main Controller	68P81083C20-B
CLOSED_RESET (On Closed Architecture Only)		Controller, SCI Drivers/Controller Interface/Main Controller	68P81083C20-B				
+5V		Controller, SCI Drivers/Controller Interface/Main Controller	68P81083C20-B			See List of Common Voltages and Signals at End of This Table	
Vdd		Controller, SCI Drivers/Controller Interface/Main Controller	68P81083C20-B			See List of Common Voltages and Signals at End of This Table	
IO2		Controller, IO Buffers/Controller Interface/Main Controller	68P81083C20-B	IO2	J0403-16	Controller Interface	68P81083C20-B
OUT2		Controller, IO Buffers/Controller Interface/Main Controller	68P81083C20-B	OUT_2		Controller/Main Controller	68P81083C20-B
IO3		Controller, IO Buffers/Controller Interface/Main Controller	68P81083C20-B	IO3	J0403-21	Controller Interface	68P81083C20-B

Table 2: Schematic Diagrams Interconnection List

From				To			
Signal Name	Node No.	Schematic Diagram Title	Publication No.	Signal Name	Node No.	Schematic Diagram Title	Publication No.
				VPP_PRO GRAM		Controller/Main Controller	68P81083C20-B
OUT3		Controller, IO Buffers/Controller Interface/Main Controller	68P81083C20-B	OUT_3		Controller/Main Controller	68P81083C20-B
IO4		Controller, IO Buffers/Controller Interface/Main Controller	68P81083C20-B	IO4	J0403-20	Controller Interface	68P81083C20-B
OUT4		Controller, IO Buffers/Controller Interface/Main Controller	68P81083C20-B	OUT_4		Controller/Main Controller	68P81083C20-B
IO5		Controller, IO Buffers/Controller Interface/Main Controller	68P81083C20-B	IO5	J0403-8	Controller Interface	68P81083C20-B
OUT5		Controller, IO Buffers/Controller Interface/Main Controller	68P81083C20-B	OUT_5		Controller/Main Controller	68P81083C20-B
IO6		Controller, IO Buffers/Controller Interface/Main Controller	68P81083C20-B	IO6	J0403-7	Controller Interface	68P81083C20-B
OUT6		Controller, IO Buffers/Controller Interface/Main Controller	68P81083C20-B	OUT_6		Controller/Main Controller	68P81083C20-B
IN2		Controller, IO Buffers/Controller Interface/Main Controller	68P81083C20-B	IN_2		Controller/Main Controller	68P81083C20-B
IN3		Controller, IO Buffers/Controller Interface/Main Controller	68P81083C20-B	IN_3		Controller/Main Controller	68P81083C20-B
IN4		Controller, IO Buffers/Controller Interface/Main Controller	68P81083C20-B	IN_4		Controller/Main Controller	68P81083C20-B
IN5		Controller, IO Buffers/Controller Interface/Main Controller	68P81083C20-B	IN_5		Controller/Main Controller	68P81083C20-B
IN6:_RTSBIN		Controller, IO Buffers/Controller Interface/Main Controller	68P81083C20-B	IN_6		Controller/Main Controller	68P81083C20-B
Vdd		Controller, IO Buffers/Controller Interface/Main Controller	68P81083C20-B			See List of Common Voltages and Signals at End of This Table	

Table 2: Schematic Diagrams Interconnection List

From				To			
Signal Name	Node No.	Schematic Diagram Title	Publication No.	Signal Name	Node No.	Schematic Diagram Title	Publication No.
SW_B+		Controller, IO Buffers/Controller Interface/Main Controller	68P81083C20-B			See List of Common Voltages and Signals at End of This Table	
+5V		Controller, IO Buffers/Controller Interface/Main Controller	68P81083C20-B			See List of Common Voltages and Signals at End of This Table	
RX_DATA_IN		Controller/Main Controller	68P81083C20-B	SW_5V:RX_DATA_IN		Controller Interface	68P81083C20-B
RTSB_OUT		Controller/Main Controller	68P81083C20-B	BUF_CH_EN:RTSB_OUT		Controller Interface	68P81083C20-B
RESET*		Controller/Main Controller	68P81083C20-B	RESET*	J0401-12, J0408-12	Controller Interface	68P81083C20-B
PWR_RST		Controller/Main Controller	68P81083C20-B	PWR_RST		Audio PA & Voltage Regulators	68P81083C20-B
				PWR_RST		Controller, ASFIC/Audio Block Diagram/Main Controller	68P81083C20-B
RESET_OUT		Controller/Main Controller	68P81083C20-B	RESET_OUT		Controller, SCI Drivers/Controller Interface/Main Controller	68P81083C20-B
RESET_IN		Controller/Main Controller	68P81083C20-B	RESET_IN		Controller, SCI Drivers/Controller Interface/Main Controller	68P81083C20-B
RX_DATA		Controller/Main Controller	68P81083C20-B	RX_DATA		Controller, ASFIC/Audio Block Diagram/Main Controller	68P81083C20-B
ASN_SEL		Controller/Main Controller	68P81083C20-B				
K9.1_ENB		Controller/Main Controller	68P81083C20-B	K9.1_ENB		Controller, Power Control/Main Controller	68P81083C20-B
OUT_3		Controller/Main Controller	68P81083C20-B	OUT3		Controller, IO Buffers/Controller Interface/Main Controller	68P81083C20-B
OUT_2		Controller/Main Controller	68P81083C20-B	OUT2		Controller, IO Buffers/Controller Interface/Main Controller	68P81083C20-B
AUPA_EN		Controller/Main Controller	68P81083C20-B	AUPA_EN		Audio PA & Voltage Regulators	68P81083C20-B

Table 2: Schematic Diagrams Interconnection List

From				To			
Signal Name	Node No.	Schematic Diagram Title	Publication No.	Signal Name	Node No.	Schematic Diagram Title	Publication No.
JABBA_SEL		Controller/Main Controller	68P81083C20-B	O:JABBA_SEL_ C:DTMF_SEL	J0401-21, J0408-21	Controller Interface	68P81083C20-B
PWR_RANGE		Controller/Main Controller	68P81083C20-B	PWR_RANGE		Controller, Power Control/Main Controller	68P81083C20-B
DA_SEL		Controller/Main Controller	68P81083C20-B	DA_SEL		Controller, Power Control/Main Controller	68P81083C20-B
PL_RX		Controller/Main Controller	68P81083C20-B	PL_RX		Controller, ASFIC/Audio Block Diagram/Main Controller	68P81083C20-B
DUPLEX_SYN_SEL		Controller/Main Controller	68P81083C20-B	DUPLEX_SYN_SELECT	IF1-2-19	Receiver IF	68P81080C44-B
BUF_SPI_DATA: SECURE_SEL		Controller/Main Controller	68P81083C20-B	BUF_SPI_DATA: SECURE_SELECT		Controller Interface	68P81083C20-B
IGNITION_CLEAR		Controller/Main Controller	68P81083C20-B	IGNITION_CLEAR		Audio PA & Voltage Regulators	68P81083C20-B
ZIF_SEL		Controller/Main Controller	68P81083C20-B	ZIF_SEL	IF1-2-18	Receiver IF	68P81080C44-B
				ZIF_SEL	IF3-2-1	Receiver IF	68P81080C44-B
				ZIF_SEL		Receiver BACK-END	68P81080C44-B
OUT_6		Controller/Main Controller	68P81083C20-B	OUT6		Controller, IO Buffers/Controller Interface/Main Controller	68P81083C20-B
BUSY_OUT		Controller/Main Controller	68P81083C20-B	BUSY_OUT		Controller, SCI Drivers/Controller Interface/Main Controller	68P81083C20-B
B+_CTRL		Controller/Main Controller	68P81083C20-B	B+_CTRL		Controller, Emergency Ignition/Controller Interface/Main Controller	68P81083C20-B
LOCK_DET		Controller/Main Controller	68P81083C20-B	LOCK_DET	IF1-3-11	Receiver IF	68P81080C44-B
				LOCK_DET	IF4-4-3	Receiver IF	68P81080C44-B

Table 2: Schematic Diagrams Interconnection List

From				To			
Signal Name	Node No.	Schematic Diagram Title	Publication No.	Signal Name	Node No.	Schematic Diagram Title	Publication No.
				LOCK_DET		Synthesizer	68P81080C44-B
IN_3		Controller/Main Controller	68P81083C20-B	IN3		Controller, IO Buffers/Controller Interface/Main Controller	68P81083C20-B
IN_4		Controller/Main Controller	68P81083C20-B	IN4		Controller, IO Buffers/Controller Interface/Main Controller	68P81083C20-B
ASN_INT		Controller/Main Controller	68P81083C20-B	ASN_INT_OPT_TX	J0401-22, J0408-22	Controller Interface	68P81083C20-B
OUT_5		Controller/Main Controller	68P81083C20-B	OUT5		Controller, IO Buffers/Controller Interface/Main Controller	68P81083C20-B
OUT_4		Controller/Main Controller	68P81083C20-B	OUT4		Controller, IO Buffers/Controller Interface/Main Controller	68P81083C20-B
EMER_IN		Controller/Main Controller	68P81083C20-B	EMER_OUT		Controller, Emergency Ignition/Controller Interface/Main Controller	68P81083C20-B
SW_B+_SENSE		Controller/Main Controller	68P81083C20-B	SW_B+_SENSE		Controller, Emergency Ignition/Controller Interface/Main Controller	68P81083C20-B
DUPLEX_LOCK_DET (Not Connected For Half Duplex)		Controller/Main Controller	68P81083C20-B				
IGNITION_SENSE		Controller/Main Controller	68P81083C20-B	IGNITION_SENSE		Controller, Emergency Ignition/Controller Interface/Main Controller	68P81083C20-B
IN_6		Controller/Main Controller	68P81083C20-B	IN6:_RTSBIN		Controller, IO Buffers/Controller Interface/Main Controller	68P81083C20-B
JABBA_INT		Controller/Main Controller	68P81083C20-B	O:JABBA_INT_C:DTMF_SEL	J0401-20, J0408-20	Controller Interface	68P81083C20-B
SQ_DET		Controller/Main Controller	68P81083C20-B	SQ_DET		Controller, ASFIC/Audio Block Diagram/Main Controller	68P81083C20-B

Table 2: Schematic Diagrams Interconnection List

From				To			
Signal Name	Node No.	Schematic Diagram Title	Publication No.	Signal Name	Node No.	Schematic Diagram Title	Publication No.
IN_5		Controller/Main Controller	68P81083C20-B	IN5		Controller, IO Buffers/Controller Interface/Main Controller	68P81083C20-B
CH_ACT		Controller/Main Controller	68P81083C20-B	CH_ACT		Controller, ASFIC/Audio Block Diagram/Main Controller	68P81083C20-B
IN_2		Controller/Main Controller	68P81083C20-B	IN2		Controller, IO Buffers/Controller Interface/Main Controller	68P81083C20-B
PL_TX		Controller/Main Controller	68P81083C20-B	PL_TX		Controller, ASFIC/Audio Block Diagram/Main Controller	68P81083C20-B
TX_DATA		Controller/Main Controller	68P81083C20-B	TX_DATA		Controller, ASFIC/Audio Block Diagram/Main Controller	68P81083C20-B
LG_DTMF		Controller/Main Controller	68P81083C20-B	LG_DTMF		Controller, ASFIC/Audio Block Diagram/Main Controller	68P81083C20-B
1200		Controller/Main Controller	68P81083C20-B	1200		Controller, ASFIC/Audio Block Diagram/Main Controller	68P81083C20-B
BUSY_IN		Controller/Main Controller	68P81083C20-B	BUSY_IN		Controller, SCI Drivers/Controller Interface/Main Controller	68P81083C20-B
A+_SENSE		Controller/Main Controller	68P81083C20-B	A+_SENSE		Controller, Emergency Ignition/Controller Interface/Main Controller	68P81083C20-B
UP_CLK		Controller/Main Controller	68P81083C20-B	UP_CLK		Controller, ASFIC/Audio Block Diagram/Main Controller	68P81083C20-B
MOD_A_B		Controller/Main Controller	68P81083C20-B	MOD_A_B		Controller Interface	68P81083C20-B
SCI_RX		Controller/Main Controller	68P81083C20-B	SCI_RX		Controller, SCI Drivers/Controller Interface/Main Controller	68P81083C20-B
SCI_TX		Controller/Main Controller	68P81083C20-B	SCI_TX		Controller, SCI Drivers/Controller Interface/Main Controller	68P81083C20-B
SPI_RX_DATA		Controller/Main Controller	68P81083C20-B	SPI_RX_DATA	J0401-19, J0408-19	Controller Interface	68P81083C20-B

Table 2: Schematic Diagrams Interconnection List

From				To			
Signal Name	Node No.	Schematic Diagram Title	Publication No.	Signal Name	Node No.	Schematic Diagram Title	Publication No.
SPI_TX_DATA		Controller/Main Controller	68P81083C20-B			See List of Common Voltages and Signals at End of This Table	
CLK		Controller/Main Controller	68P81083C20-B			See List of Common Voltages and Signals at End of This Table	
PA_DIS		Controller/Main Controller	68P81083C20-B	PA_DIS		Controller, Power Control/Main Controller	68P81083C20-B
RSSI		Controller/Main Controller	68P81083C20-B			See List of Common Voltages and Signals at End of This Table	
RSSI_OUT		Controller/Main Controller	68P81083C20-B	RSSI_OUT		Controller, IO RSSI Buffers/Controller Interface/Main Controller	68P81083C20-B
				RSSI_OUT	J0403-22	Controller Interface	68P81083C20-B
LBAT		Controller/Main Controller	68P81083C20-B	LBAT		Controller Interface	68P81083C20-B
TEMP		Controller/Main Controller	68P81083C20-B	TEMP		Controller, Power Control/Main Controller	68P81083C20-B
VOX		Controller/Main Controller	68P81083C20-B	VOX		Controller, ASFIC/Audio Block Diagram/Main Controller	68P81083C20-B
SYN_SEL		Controller/Main Controller	68P81083C20-B	SYN_SEL	IF1-3-10	Receiver IF	68P81080C44-B
				SYN_SEL	IF4-3-4	Receiver IF	68P81080C44-B
				SYNT_SEL		Synthesizer	68P81080C44-B
ROSC_SEL		Controller/Main Controller	68P81083C20-B	ROSC_SEL	IF1-2-13	Receiver IF	68P81080C44-B
				ROSC_SEL	IF4-4-5	Receiver IF	68P81080C44-B
				ROSC_SEL		Synthesizer	68P81080C44-B
ASFIC_SEL		Controller/Main Controller	68P81083C20-B	ASFIC_SEL		Controller, ASFIC/Audio Block Diagram/Main Controller	68P81083C20-B
VPP_PROGRAM		Controller/Main Controller	68P81083C20-B	IO3		Controller, IO Buffers/Controller Interface/Main Controller	68P81083C20-B

Table 2: Schematic Diagrams Interconnection List

From				To			
Signal Name	Node No.	Schematic Diagram Title	Publication No.	Signal Name	Node No.	Schematic Diagram Title	Publication No.
				IO3	J0403-21	Controller Interface	68P81083C20-B
Vdd		Controller/Main Controller	68P81083C20-B			See List of Common Voltages and Signals at End of This Table	
SW_5V:RX_DATA_IN		Controller Interface	68P81083C20-B	RX_DATA_IN		Controller/Main Controller	68P81083C20-B
BUF_CH_EN:RTSB_OUT		Controller Interface	68P81083C20-B	RTSB_OUT		Controller/Main Controller	68P81083C20-B
O:JABBA_SEL_C:DTMF_SEL	J0401-21, J0408-21	Controller Interface	68P81083C20-B	JABBA_SEL		Controller/Main Controller	68P81083C20-B
BUF_SPI_DATA:SECURE_SELECT		Controller Interface	68P81083C20-B	BUF_SPI_DATA:SECURE_SEL		Controller/Main Controller	68P81083C20-B
O:JABBA_INT_C:DTMF_SEL	J0401-20, J0408-20	Controller Interface	68P81083C20-B	JABBA_INT		Controller/Main Controller	68P81083C20-B
MOD_A_B		Controller Interface	68P81083C20-B	MOD_A_B		Controller/Main Controller	68P81083C20-B
SPI_RX_DATA	J0401-19, J0408-19	Controller Interface	68P81083C20-B	SPI_RX_DATA		Controller/Main Controller	68P81083C20-B
RSSI_OUT	J0403-22	Controller Interface	68P81083C20-B	RSSI_OUT		Controller, IO RSSI Buffers/Controller Interface/Main Controller	68P81083C20-B
				RSSI_OUT		Controller/Main Controller	68P81083C20-B
LBAT		Controller Interface	68P81083C20-B	LBAT		Controller/Main Controller	68P81083C20-B
Common Voltages and Signals							
A+		Power Amplifier	68P81080C44-B				
		Audio PA & Voltage Regulators	68P81083C20-B				
SW_B+		Controller, Power Control	68P81083C20-B				

Table 2: Schematic Diagrams Interconnection List

From				To			
Signal Name	Node No.	Schematic Diagram Title	Publication No.	Signal Name	Node No.	Schematic Diagram Title	Publication No.
		Audio PA & Voltage Regulators	68P81083C20-B				
		Controller, Emergency Ignition	68P81083C20-B				
		Controller, IO Buffers	68P81083C20-B				
+5V		Controller, Power Control	68P81083C20-B				
		Audio PA & Voltage Regulators	68P81083C20-B				
		Controller, Emergency Ignition	68P81083C20-B				
		Controller, SCI Drivers	68P81083C20-B				
		Controller, IO Buffers	68P81083C20-B				
9.3V		Receiver Front End	68P81080C44-B				
		Receiver IF	68P81080C44-B				
		Controller, Power Control	68P81083C20-B				
		Audio PA & Voltage Regulators	68P81083C20-B				
		Controller, ASFIC	68P81083C20-B				
		Controller, HEAR CLEAR	68P81083C20-B				
		Controller, IO RSSI Buffers	68P81083C20-B				
		Synthesizer	68P81080C44-B				
Vdd		Audio PA & Voltage Regulators	68P81083C20-B				
		Controller, IO RSSI Buffers	68P81083C20-B				
		Controller, Emergency Ignition	68P81083C20-B				
		Controller, SCI Drivers	68P81083C20-B				
		Controller, IO Buffers	68P81083C20-B				

Table 2: Schematic Diagrams Interconnection List

From				To			
Signal Name	Node No.	Schematic Diagram Title	Publication No.	Signal Name	Node No.	Schematic Diagram Title	Publication No.
		Controller	68P81083C20-B				
RF_REG_5V		Receiver Front End	68P81080C44-B				
	IF4-4-8	Receiver IF	68P81080C44-B				
		Receiver Back End	68P81080C44-B				
		Synthesizer	68P81080C44-B				
K9.1		Receiver Front End	68P81080C44-B				
		Power Amplifier	68P81080C44-B				
		Synthesizer	68P81080C44-B				
		Controller, Power Control/Main Controller	68P81083C20-B				
CLK	IF1-3-5	Receiver IF	68P81080C44-B				
		Receiver Back End	68P81080C44-B				
		Synthesizer	68P81080C44-B				
		Controller, Power Control/Main Controller	68P81083C20-B				
		Controller, ASFIC/Audio Block Diagram/Main Controller	68P81083C20-B				
		Controller/Main Controller	68P81083C20-B				
2.1MHZ	IF1-3-8	Receiver IF	68P81080C44-B				
		Receiver Back End	68P81080C44-B				
		Synthesizer	68P81080C44-B				
		Controller, ASFIC/Audio Block Diagram/Main Controller	68P81083C20-B				

Table 2: Schematic Diagrams Interconnection List

From				To			
Signal Name	Node No.	Schematic Diagram Title	Publication No.	Signal Name	Node No.	Schematic Diagram Title	Publication No.
SPI_TX_DATA	IF1-3-4	Receiver IF	68P81080C44-B				
	IF3-3-3	Receiver IF	68P81080C44-B				
	IF4-3-9	Receiver IF	68P81080C44-B				
		Receiver Back End	68P81080C44-B				
		Synthesizer	68P81080C44-B				
		Controller, Power Control/Main Controller	68P81083C20-B				
			68P81083C20-B				
		Controller/Main Controller	68P81083C20-B				
RSSI	IF1-3-3	Receiver IF	68P81080C44-B				
	IF3-3-7	Receiver IF	68P81080C44-B				
		Receiver Back End	68P81080C44-B				
		Controller, ASFIC/Audio Block Diagram/Main Controller	68P81083C20-B				
		Controller, Hear Clear/Audio Block Diagram/Main Controller	68P81083C20-B				
		Controller, IO RSSI Buffers/Controller Interface/Main Controller	68P81083C20-B				
		Controller/Main Controller	68P81083C20-B				
Connector Signals:							
Option Connectors J0401, J0408							
A+_CONT		Controller Interface	68P81083C20-B				

Table 2: Schematic Diagrams Interconnection List

From				To			
Signal Name	Node No.	Schematic Diagram Title	Publication No.	Signal Name	Node No.	Schematic Diagram Title	Publication No.
Vdd		Controller Interface	68P81083C20-B				
2.1MHZ		Controller Interface	68P81083C20-B				
GND		Controller Interface	68P81083C20-B				
DISC		Controller Interface	68P81083C20-B				
9.3V		Controller Interface	68P81083C20-B				
ASFIC_PREAM P_OUT		Controller Interface	68P81083C20-B				
ASFIC_MIC_AU DIO_IN		Controller Interface	68P81083C20-B				
AUX_RX_IN1 - J0401. AUX_RX_IN3 - J0408		Controller Interface	68P81083C20-B				
UNIV_IO		Controller Interface	68P81083C20-B				
GND		Controller Interface	68P81083C20-B				
RESET*		Controller Interface	68P81083C20-B				
CTRL_HD2:KEY _FAIL		Controller Interface	68P81083C20-B				
AUX_TX_IN1 - J0401, AUX_TX_IN3 - J0408.		Controller Interface	68P81083C20-B				
GND:RX_DATA _KID		Controller Interface	68P81083C20-B				
CLK:RTS_DVP_ WE		Controller Interface	68P81083C20-B				

Table 2: Schematic Diagrams Interconnection List

From				To			
Signal Name	Node No.	Schematic Diagram Title	Publication No.	Signal Name	Node No.	Schematic Diagram Title	Publication No.
CLK		Controller Interface	68P81083C20-B				
SPI_TX_DATA		Controller Interface	68P81083C20-B				
SPI_RX_DATA		Controller Interface	68P81083C20-B				
O:JABBA_INT_C:DTMF_DATA_READY		Controller Interface	68P81083C20-B				
O:JABBA_SEL_C:DTMF_SEL		Controller Interface	68P81083C20-B				
ASN_INT_OPT_TX		Controller Interface	68P81083C20-B				
ASN_SEL_OPT_CTSS		Controller Interface	68P81083C20-B				
NC		Controller Interface	68P81083C20-B				
RSSI		Controller Interface	68P81083C20-B				
GND		Controller Interface	68P81083C20-B				
GND		Controller Interface	68P81083C20-B				
Accessory Connector J0403							
SPK+		Controller Interface	68P81083C20-B				
INT_SPK+		Controller Interface	68P81083C20-B				
SPK-		Controller Interface	68P81083C20-B				
GND		Controller Interface	68P81083C20-B				
BUSY		Controller Interface	68P81083C20-B				
BUS+		Controller Interface	68P81083C20-B				

Table 2: Schematic Diagrams Interconnection List

From				To			
Signal Name	Node No.	Schematic Diagram Title	Publication No.	Signal Name	Node No.	Schematic Diagram Title	Publication No.
IO_6		Controller Interface	68P81083C20-B				
IO_5		Controller Interface	68P81083C20-B				
EMERGENCY		Controller Interface	68P81083C20-B				
GND		Controller Interface	68P81083C20-B				
RX_HI:FIL_AUD IO		Controller Interface	68P81083C20-B				
AUX_RX_IN2		Controller Interface	68P81083C20-B				
MIC_IN		Controller Interface	68P81083C20-B				
SW_B+		Controller Interface	68P81083C20-B				
IGNITION		Controller Interface	68P81083C20-B				
IO_2		Controller Interface	68P81083C20-B				
RESET		Controller Interface	68P81083C20-B				
BUS-		Controller Interface	68P81083C20-B				
SCI_RX_DATA		Controller Interface	68P81083C20-B				
IO_4		Controller Interface	68P81083C20-B				
IO_3		Controller Interface	68P81083C20-B				
RSSI_OUT		Controller Interface	68P81083C20-B				
EXTERNAL_MI C_IN		Controller Interface	68P81083C20-B				
AUX_TX_IN2		Controller Interface	68P81083C20-B				
BUFFERED_ DISCRIMINA- TOR		Controller Interface	68P81083C20-B				

Table 2: Schematic Diagrams Interconnection List

From				To			
Signal Name	Node No.	Schematic Diagram Title	Publication No.	Signal Name	Node No.	Schematic Diagram Title	Publication No.
Control Head Connector J0405							
INT_SPK+		Controller Interface	68P81083C20-B				
SPK-		Controller Interface	68P81083C20-B				
MON_BUSY:RE SET		Controller Interface	68P81083C20-B				
PTT:BUS-		Controller Interface	68P81083C20-B				
BUF_SPI_CLK: GND		Controller Interface	68P81083C20-B				
BUF_SPI_DATA :SECURE_ SELECT		Controller Interface	68P81083C20-B				
GND		Controller Interface	68P81083C20-B				
RX_HI		Controller Interface	68P81083C20-B				
MIC_IN		Controller Interface	68P81083C20-B				
CTRL_HD1:WE		Controller Interface	68P81083C20-B				
CTRL_HD2:KEY _FAIL		Controller Interface	68P81083C20-B				
CH_EN:KID		Controller Interface	68P81083C20-B				
VOLUME		Controller Interface	68P81083C20-B				
OPT_SW_B+:B USY		Controller Interface	68P81083C20-B				
AUX:BUS+		Controller Interface	68P81083C20-B				
SW_5V		Controller Interface	68P81083C20-B				

Table 2: Schematic Diagrams Interconnection List

From				To			
Signal Name	Node No.	Schematic Diagram Title	Publication No.	Signal Name	Node No.	Schematic Diagram Title	Publication No.
A+		Controller Interface	68P81083C20-B				
SW_B+		Controller Interface	68P81083C20-B				

Cut along dotted line

SERVICE MANUAL QUESTIONNAIRE

We believe that reports from users provide valuable information for producing quality manuals. By taking a few moments to answer the following questions as they relate to this specific manual, you can take an active role in the continuing effort to ensure that our manuals contain the most accurate and complete information of benefit to you. Thank you for your cooperation.

In reference to Manual Number: 68P81080C44-B

MCS 2000™ Mobile Radio

1. Please check all the appropriate boxes:

	Complete	Incomplete	Correct	Incorrect	Clear	Confusing	Size Adequate	Size Too Small	Not Covered in This Manual
Disassembly Procedures									
Alignment Procedures									
Exploded Views									
Schematic Diagrams									
Circuit Board Details									
Electrical Parts Lists									
Exploded View Parts List									

2. How would you rate the overall organization of this manual?

- excellent
 very good
 good
 fair
 poor

3. Did this Service manual provide you with the information necessary to service and maintain the specific equipment?

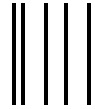
- very much so
 generally yes
 to some extent
 no

4. How do you rate this particular Service Manual?

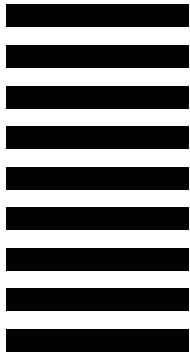
- excellent
 very good
 good
 fair
 poor

5. We would appreciate any corrections or recommendations for improving this manual. Please include the specific page number(s) of the diagram or procedure in question.

- a. Disassembly Procedures:(Page No. _____)
- b. Alignment Procedures:(Page No. _____)
- c. Exploded Views:(Page No. _____)



NO POSTAGE
NECESSARY
IF MAILED
IN THE
UNITED STATES



BUSINESS REPLY MAIL
FIRST CLASS MAIL PERMIT NO 9040 FT. LAUDERDALE, FL

POSTAGE WILL BE PAID BY ADDRESSEE



MOTOROLA

Attention: Media and Communication
8000 W. Sunrise Boulevard
Ft. Lauderdale, FL 33322



FOLD

FOLD

(Continued)

Please specify the page number along with any corrections or recommendations for improvement.

- d. Schematic Diagrams: (Page No. _____)
- e. Component Location Details: (Page No. _____)
- f. Electrical Parts List: (Page No. _____)
- g. Exploded View Parts List: (Page No. _____)

6. General comments/suggestions:

Name:.....

Company:.....

Customer COSC MSS FTR Other

Address:

City/State/Zip:.....

Phone Number (Please include Area Code):

PLEASE USE TAPE TO SEAL

POSTAL REGULATIONS PROHIBIT USE OF STAPLES

REPLACEMENT PARTS ORDERING

ORDERING INFORMATION

When ordering replacement parts or equipment information, the complete identification number should be included. This applies to all components, kits, and chassis. If the component part number is not known, the order should include the number of the chassis or kit of which it is a part, and sufficient description of the desired component to identify it.

Crystal and channel element orders should specify the crystal or channel element type number, crystal and carrier frequency, and the model number in which the part is used.

MAIL ORDERS

Send written orders to the following addresses:

Replacement Parts/
Test Equipment/Manuals/
Crystal Service Items:

Motorola Inc.
United States and Canada
Accessories and Aftermarket
Division
Attention: Order Processing
1313 E. Algonquin Road
Schaumburg, IL 60196

Federal Government Orders:

Motorola Inc.
United States and Canada
Accessories and Aftermarket
Division
Attention: Order Processing
7230 Parkway Drive
Landover, MD 21076

International Orders:

Motorola Inc.
United States and Canada
Accessories and Aftermarket
Division
Attention: International Order
Processing
1313 E. Algonquin Road
Schaumburg, IL 60196

TELEPHONE ORDERS

United States and Canada Accessories and Aftermarket Division:
Call: 1-800-422-4210
1-800-826-1913 (For Federal Government Orders)
1-847-538-8023 (International Orders)

Servicers Training (VHS Video Tapes):
Call: 847-576-2828

FAX ORDERS

United States and Canada Accessories and Aftermarket Division:
FAX: 847-538-8198 (Domestic)
847-576-3023 (International)
Parts ID: 847-538-8194

Federal Government Orders:
FAX: 410-712-4991
International: 410-712-6200

PARTS CUSTOMER SERVICE

United States and Canada Accessories and
Aftermarket Division:
Call: 1-800-422-4210
Parts Identification:
Call: 847-538-0021

PRODUCT CUSTOMER SERVICE

Customer Response Center
(Sales and Service Assistance):
Call: 1-800-247-2346
FAX: 1-800-232-9272



**MCS 2000 Mobile Radio Service Instructions
900-MHz Frequency Range Specific
Publication Number 68P81080C44-B**



6881080C44-B